

Description: The EFV-018-xxx Series operate from a 100 ~ 240 V or 175~265V ac input range. Maximum output power: 12W(100-240VAC),18W(175-265VAC). Use Rubycon long-life electrolytic capacitors, effective guarantee of the product life They are designed to be highly reliable. Meet energy star (CEC) level.



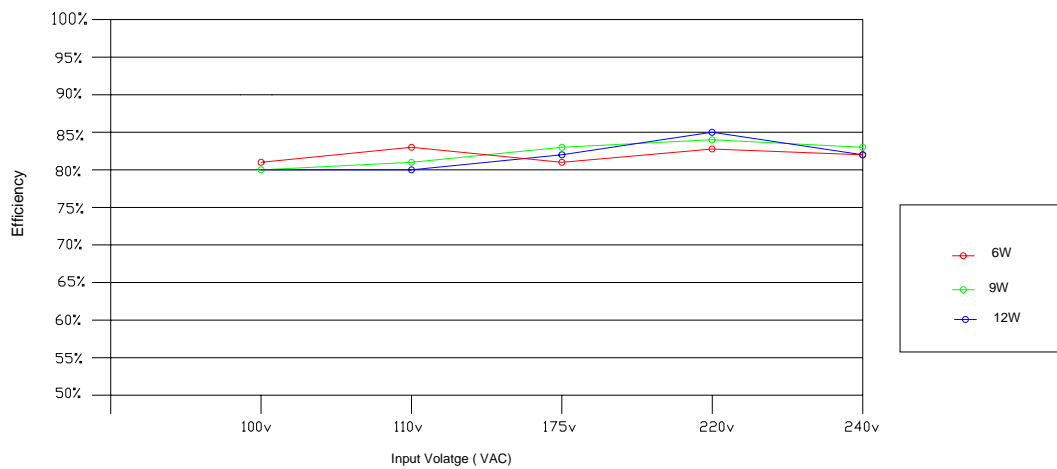
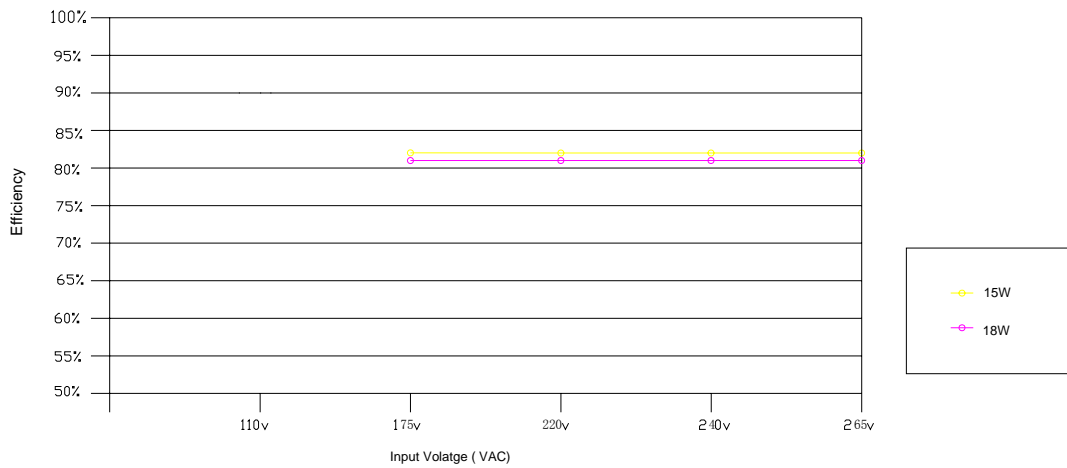
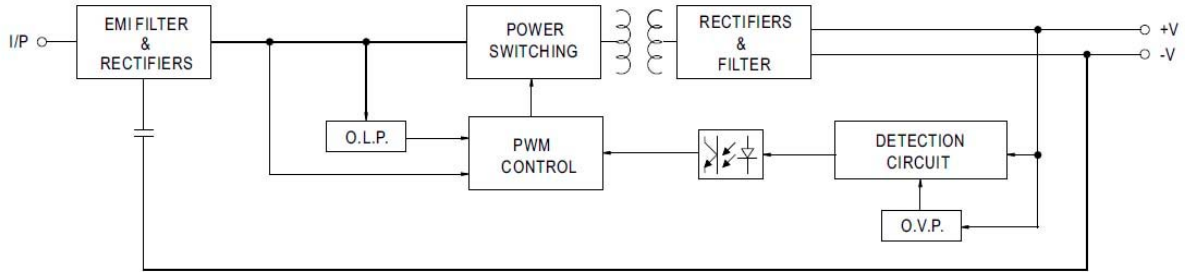
1. High Efficiency (Up to 84%), High reliability
2. Protections: Short circuit / Overload / Over voltage / Over temperature
3. Use indoor / EF-018-Nxx , IP67 / EF-018-Wxx
4. 100% full load burn-in test
5. Suitable for LED lighting and moving sign applications
6. Compliance to worldwide safety regulations for lighting
7. 2 years warranty

SPECIFICATION

MODEL		EFV-018-N10	EFV-018-N12	EFV-018-N24
OUTPUT	DC voltage	10V	12V	24V
	Rated current Note 1	1.8A	1.5A	0.75A
	Current range	0~1.8A	0~1.5A	0~0.75A
	Rated Power	12W / 100~240VAC ,18W / 175~265VAC		
	Voltage tolerance	±2%		
	Ripple & Noise	<120mVp-p		
	Setup Time	Max 1S		
INPUT	Voltage range	100~240VAC, 175~265VAC		
	Max AC Current	0.4A/115VAC	0.2A/220VAC	
	Frequency range	47~65Hz		
	Efficiency (Typ.)	>81%	>82%	>82%
	Power in No-Load	< 0.3W		
PROTECTION	Short Circuit	short circuit protection , Auto Recovery		
	Over Temperature	Maximum temperature of components inside the case		
	Over load Over Voltage	110% ~ 200% rated output power, 115% ~ 135% rated output voltage		
ENVIRONMENT	Working TEMP	-25℃~50℃		
	Storage TEMP.	-40℃~80℃		
	Working Humidity	20% ~ 90% RH non-condensing		
	Vibration	10~500Hz 2G 10min/1cycle period for 60min. each along X, Y, Z axes		
	TEMP. coefficient	±0.03%/℃ (0~50℃)		
SAFETY & EMC	SAFETY STANDARDS	CE EN 61347-1, EN61347-2-13		
	WITHSTAND VOLTAGE	I/P-O/P:3.75KVAC		
	ISOLATION RESISTANCE	I/P-O/P:>100M Ohms / 500VDC / 25 / 70% RH		
	EMI CONDUCTION & RADIATION	Compliance to EN55015		
	EMS IMMUNITY	Compliance to EN61000-4-2,3,4,5,6,8,11; ENV50204, EN55024, EN61547, light industry level, criteria A		
OTHER	MTBF	600KHours MIL-HDBK-217F (25℃)		
	Life Time	55KHours / 80%Load and 45℃ ambient temperature		
	Dimension	68 x 42 x 30mm		
	Weight	180g		

Notes 1 Rated current: Input 100~240VAC - Rated current: 1.2A/10V, 1A/12V, 0.5A/24V

Block Diagram

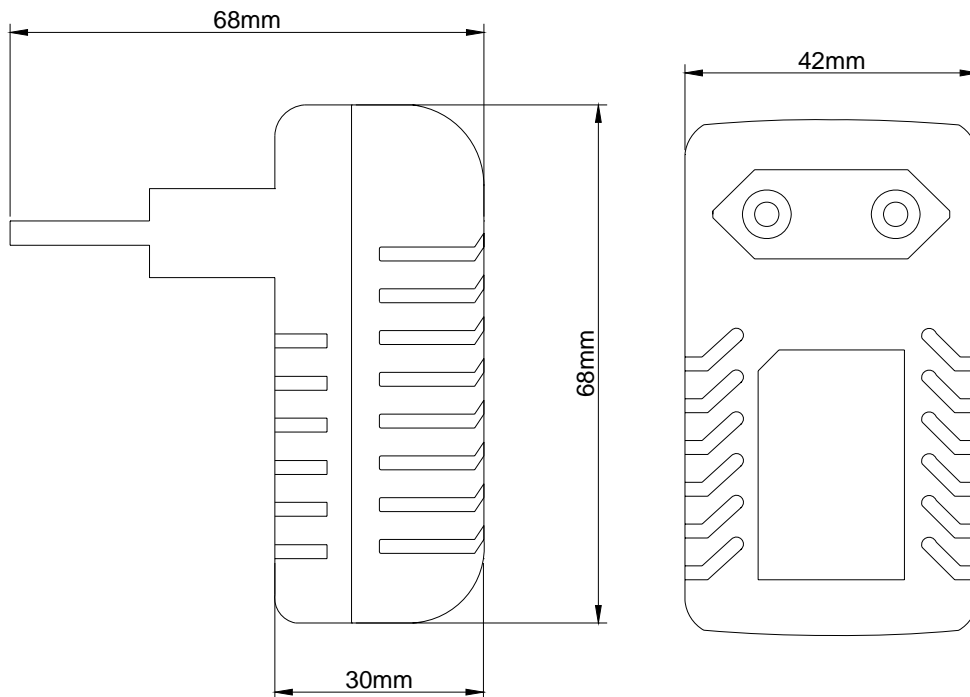


OUTPUT : DC12V Efficiency Reference

Note:

All specifications are typical at 25 °C unless otherwise stated.

All specifications are typical at 220 Vac input unless otherwise stated.



DC OUTPUT CONNECTOR PLUG:

Standard type P1J: $\varnothing 2.1 * \varnothing 5.5 * 10\text{mm}$ turning fork type, center positive for stock ;

Other type available by customer requested

DC OUTPUT Cable : 20AWG*2C 1600mm