

**Description:** RX-CK Waterproof LED module, using the new PCB design, exact match top LED, is the world's most efficient LED modules (over 100Lm / W), ultra-thin, low temperature rise, waterproof, long life Characteristics. Backlighting for advertising, advertising plastic characters, Blister words backlit, LED signs. Do your own energy-saving lighting project.



**World first Luminous efficiency**  
100Lm/W DC12V

**Long life**  
≥50000hours

**High brightness**  
24Lm / LED

**New design**  
One LED group

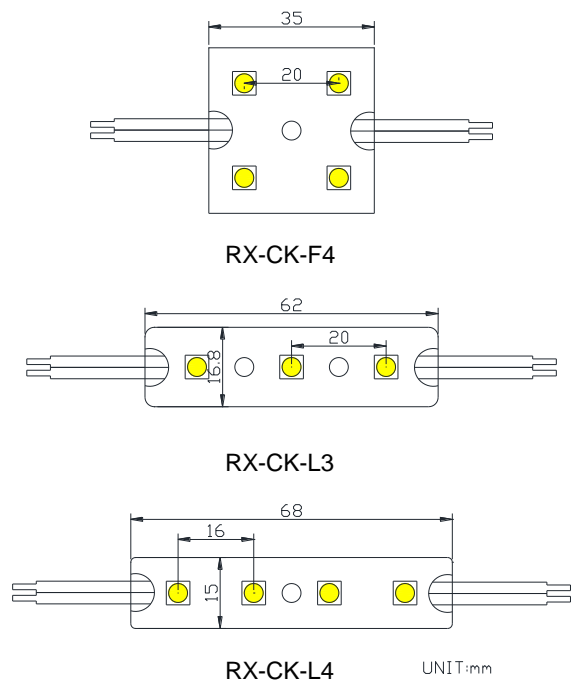
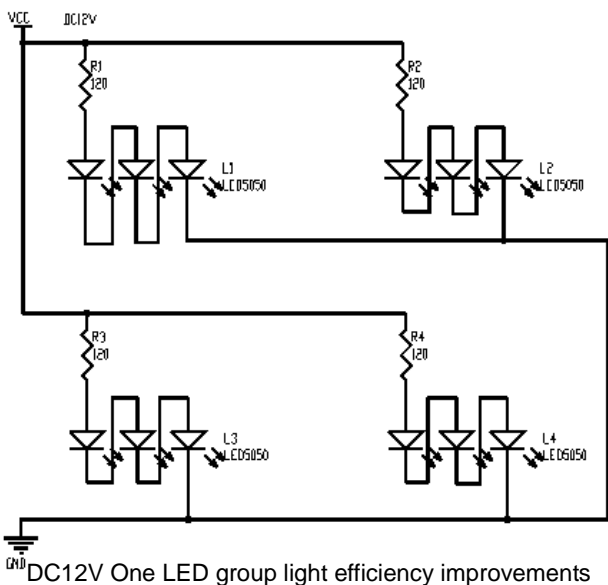
**Waterproof IP67**

**Warranty**  
3 years



Application specs	
Brightness	24Lm / LED
Default Colors	CW6000~6500K
Other colors	WW2700~3200K NW4200~4700K
CRI	> 75 (Option >85)
Application Environment	Dry & Damp Locations
Operating Temperature	-22°F~122°F (-30~50°C)
Electrical specs	
Power	0.24W / LED
Input	DC 12V
Warranty	3 years
Certification	CE RoHS FCC

**Dimension**



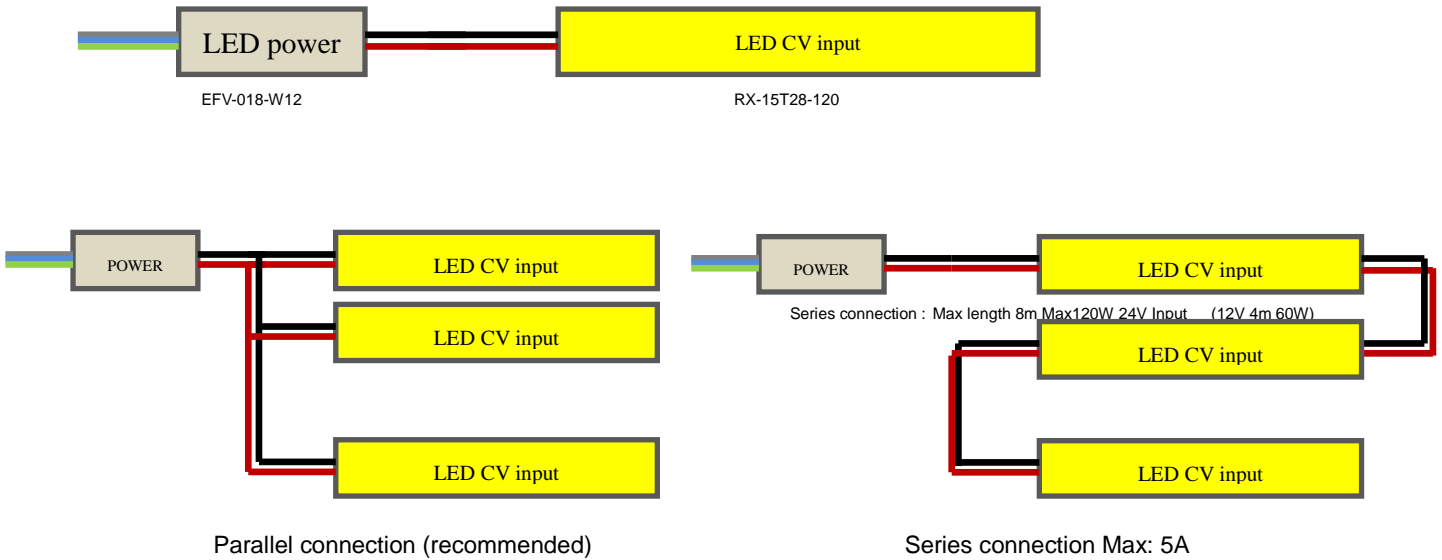
Data sheet

MODEL	Dimension LED QTY	Lumen	Power DC Input	Max Series connection	Brightness / m	Comment
RX-CK-F4	35x35x3mm 4LED	96Lm	0.96W 12V	62pcs 5m	432Lm / m Cable 60mm	Limiting resistor
RX-CK-L3	62x16.8x3mm 3LED	72Lm	0.72W 12V	90pcs 8m	288Lm / m Cable 60mm	Limiting resistor
RX-CK-L3-RGB	62x16.8x3mm 3LED	15Lm	Max0.72W 12V	90pcs 8m	60Lm / m Cable 60mm	RGB color Limiting resistor
RX-CK-L4	68x15x3mm 4LED	96Lm	0.96W 12V	90pcs 6m	368Lm / m Cable 60mm	Limiting resistor

The above table data testing at room temperature is 25 °C, test voltage DC12V, Temperature rise +15 °C

LED color temperature 6000-6500K, CRI > 75 , Life 50000hours@25 °C,

Wiring diagram



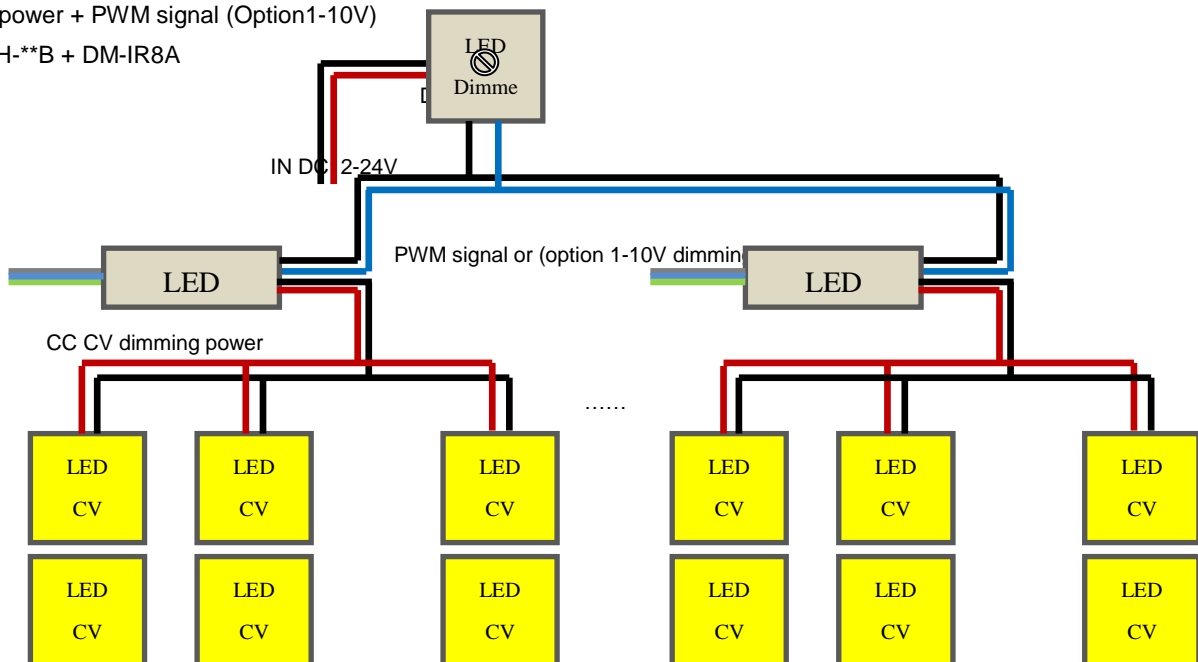
Parallel connection (recommended)

Series connection Max: 5A

Recommended Dimming system

Dimming power + PWM signal (Option1-10V)

HLG-120H-\*\*B + DM-IR8A

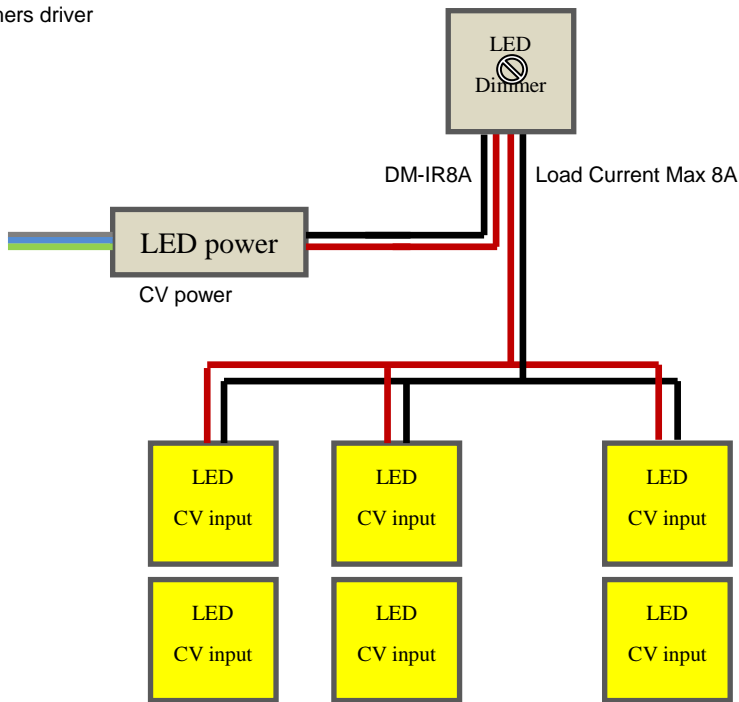


A large area of simple synchronous dimming system - No PWM flicker

Constant voltage constant current power supply - 100% load power

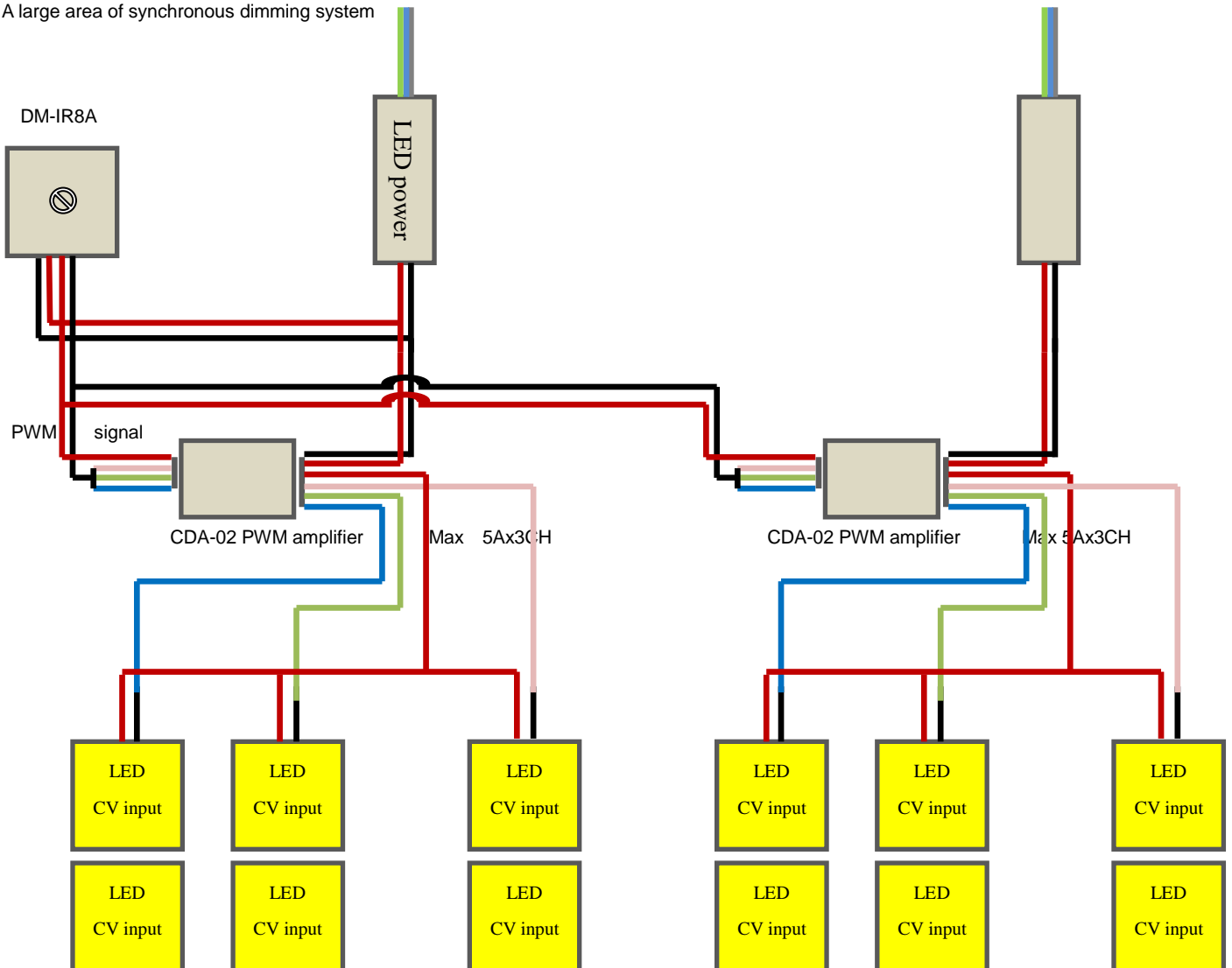
## Other Dimming system

CV power + PWM dimmers driver



Calculations are based on 85% max load on Constant voltage power supply

A large area of synchronous dimming system



DM-IR8A PWM dimmers, including infra-red remote control.

Note: This product does not contain LED power supply, LED dimmers, extension cords; If you have a need, please contact us! Please be sure you choose right AC/DC power adaptor to drive LED module panel. If you have difficulty to buy such adaptor locally, please turn to us.

**CAUTION: This product is installed by a professional engineering staff.**

#### **Safety Information**

1. The LED module itself and all its components may not be mechanically stressed.
2. Assembly must not damage or destroy conducting paths on the circuit board.
3. Installation of LED module (with power supplies) needs to be made with regard to all applicable electrical and safety standards. Only qualified personnel should be allowed to perform installations.
4. Correct electrical polarity needs to be observed. Wrong polarity may destroy the LED module.
5. Parallel connection is highly recommended as safe electrical operation mode.
6. Serial connection is not recommended. Unbalanced voltage drop can cause hazardous overload and damage the LED module.
7. Please ensure that the power supply of adapters power to operate the total load.
8. When mounting on metallic or otherwise conductive surfaces, there needs to be an electrical isolation points between strip and the mounting surface.
9. Pay attention to standard ESD precautions when installing the LED module.
10. Damaged by corrosion will not be honored as a materials defect claim. It is the user's responsibility to provide suitable protection against corrosive agents such as moisture and condensation and other harmful elements.
11. Non Waterproof LED module
12. LED module can not be used as support, you need fixed in the frame, fixed to the wall, otherwise, may cause deformation.