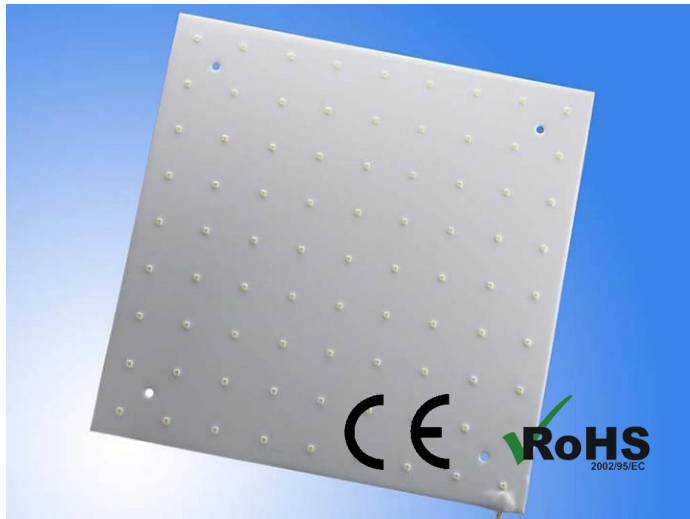
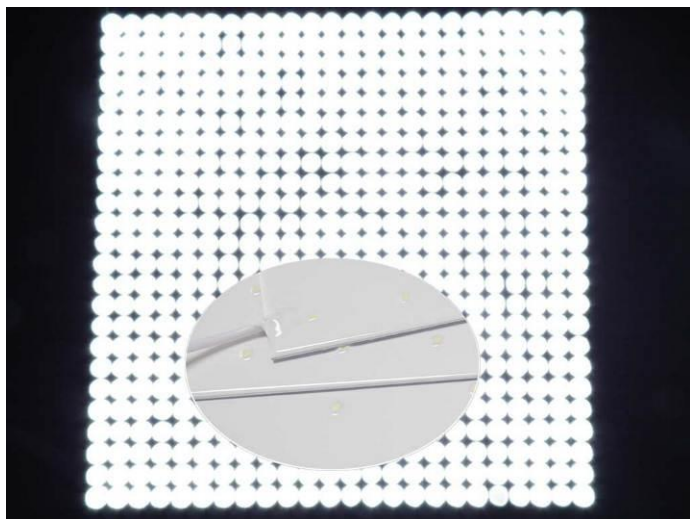


Description: RX-ALF3528 waterproof LED aluminum panel, Patent No.:ZL200820131053, ZL200820132702. With the top SMD3528 LED, unique waterproof design, the world's first, holds several patents, has a slim, low temperature rise, waterproof, safe, reliable, long life; strength over 60,000 hours aging test; Around the world, more than 7 years practical application, to good effect. Mainly used for light boxes backlight, large-scale projects, shopping malls, railway stations, airports and other high-end places lighting, a variety of power, in various sizes, you can also customize the size, the professional energy-saving lighting project.



1. Large-size waterproof LED module
2. No additional heat sink is required
3. Can customize size you need, maximum 0.9x0.9m
4. LED spacing options 16mm, 25mm, 33mm
5. Standard size 300x300mm, 300x600mm, 600x600mm
6. Patent number: ZL200820131053, ZL200820132702
7. lighting fixtures Light source, advanced advertising backlight
8. Input voltage DC12V (Optional: DC24V)
9. LED chip luminous efficiency: 150Lm / W
10. CE RoHS FCC



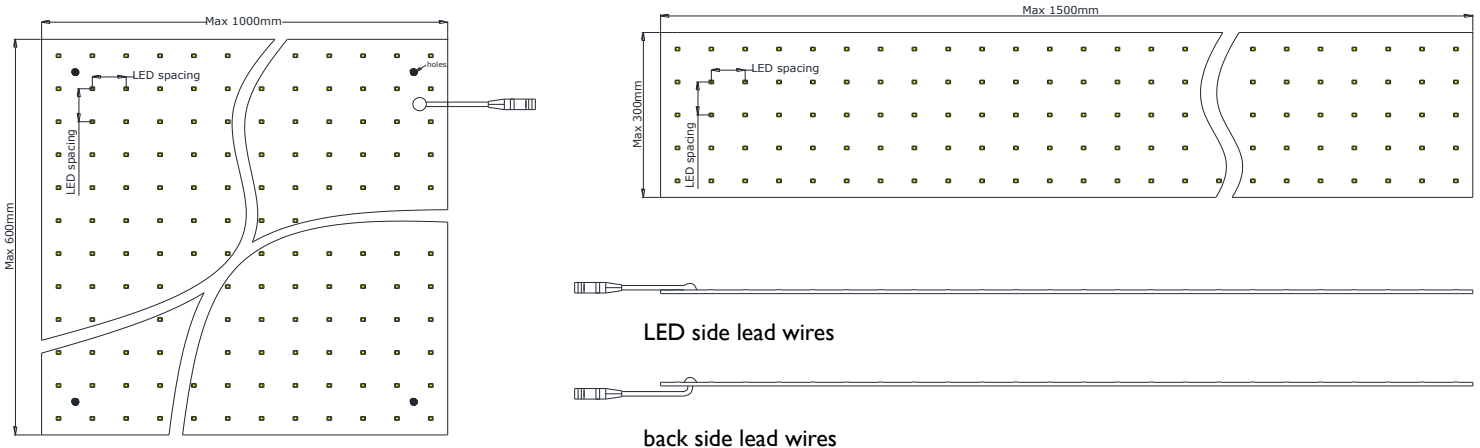
Application specs

Brightness	8Lm / LED
Default Colors	CW6000~6500K
Other colors	WW2700~3200K NW4200~4700K
CRI	> 80
Application Environment	Dry & Damp Locations
Operating Temperature	-22°F~122°F (-30~50°C)

Electrical specs

Power	0.08W / LED
Input	DC 12V
Warranty	3 years
Certification	CE RoHS FCC

Schematic diagram



*3LED a group, each row or column of the LED QTY is preferably a multiple of three.

Our can customize the size you need, the maximum area of 1m²; You need to shape, you need to power up to 200W.

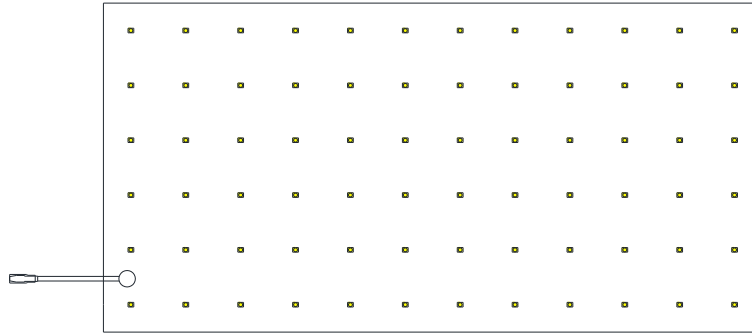
Data sheet

MODEL	Dimension LED QTY	Lumen	Power DC12V	Series connection TYPE B max 5A	LED spacing Brightness/ m ²	Comment
RX-ALF3528-33-1010	100x100mm 9LED	70Lm	0.7W	85pcs	33.33mm Min. Cabinet Depth* 48mm 60W / m ² 6000Lm / m ²	Temperature rise <5 °C Standard brightness 60% energy saving compared with fluorescent tubes. Mainly used for advertising light boxes backlight.
RX-ALF3528-33-1030	100x300mm 27LED	210Lm	2.1W	28pcs		
RX-ALF3528-33-1060	100x600mm 54LED	420Lm	4.2W	14pcs		
RX-ALF3528-33-3030	300x300mm 81LED	550Lm	5.5W	10pcs		
RX-ALF3528-33-3060	300x600mm 162LED	1100Lm	11W	5pcs		
RX-ALF3528-33-5050	500x500mm 225LED	1520Lm	15.2W	4pcs		
RX-ALF3528-33-6060	600x600mm 324LED	2200Lm	22W	3pcs		
RX-ALF3528-50-3030	300x300mm 36LED	280Lm	2.8W	21pcs	50mm Min. Cabinet Depth* 75mm 3000Lm / m ²	Temperature rise <3 °C Low light advertising light boxes backlight
RX-ALF3528-50-6060	600x600mm 144LED	1100Lm	11W	5pcs		
RX-ALF3528-45-2727	270x270mm 36LED	280Lm	2.8W	21pcs	45mm Min. Cabinet Depth* 65mm 3770Lm / m ²	Temperature rise <3°C Low light advertising light boxes backlight
RX-ALF3528-45-5454	540x540mm 144LED	1100Lm	11W	5pcs		
RX-ALF3528-30-2727	270x270mm 81LED	550Lm	5.5W	10pcs	30.5mm Min. Cabinet Depth* 45mm 7540Lm / m ²	Temperature rise <6 °C Standard brightness Mainly used for advertising light boxes backlight.
RX-ALF3528-30-5454	540x540mm 324LED	2200Lm	22W	3pcs		
RX-ALF3528-25-3030	300x300mm 144LED	1100Lm	11W	5pcs	25mm Min. Cabinet Depth* 36mm 10830Lm / m ²	Temperature rise <10 °C high brightness light boxes backlight. Replace fluorescent tubes
RX-ALF3528-25-20120	200x1200mm 384LED	2900Lm	29W	2pcs		
RX-ALF3528-25-6060	600x600mm 576LED	3900Lm	39W	--		
RX-ALF3528-16-3030	300x300mm 324LED	2200Lm	22W	3pcs	16.66mm Min. Cabinet Depth* 25mm 22770Lm / m ²	Temperature rise <15 °C Ultra high brightness light boxes backlight. Lighting-source Replace H type fluorescent tubes
RX-ALF3528-16-2050	200x500mm 360LED	2400Lm	24W	2pcs		
RX-ALF3528-16-6060	600x600mm 1296LED	8200Lm	82W	--		
RX-ALF3528-X66-3060	300x600mm 81LED	600Lm	6W	10pcs	47.1mm Min. Cabinet Depth* 67mm 3330Lm / m ²	Temperature rise <3 °C Low brightness
RX-ALF3528-X66-6060	600x600mm 162LED	1200Lm	12W	5pcs		

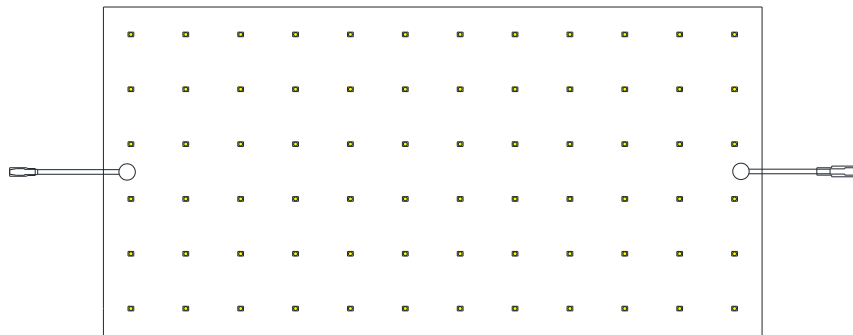
The above table data testing at room temperature is 25 °C, test voltage DC12V; LED color temperature 6000-6500K, CRI >80

*Minimum distance required from Panel to face. Calculated with 2447 milky white acrylic with no graphics, Depth on faces with graphics can have thinner cabinet depths, Consult with XineLam for samples and depth demonstrations. Special sizes, Consult with XineLam Reps and Distributors

Optional plug wire



TYPE A(default standard model)



TYPE B



Waterproof plug cable

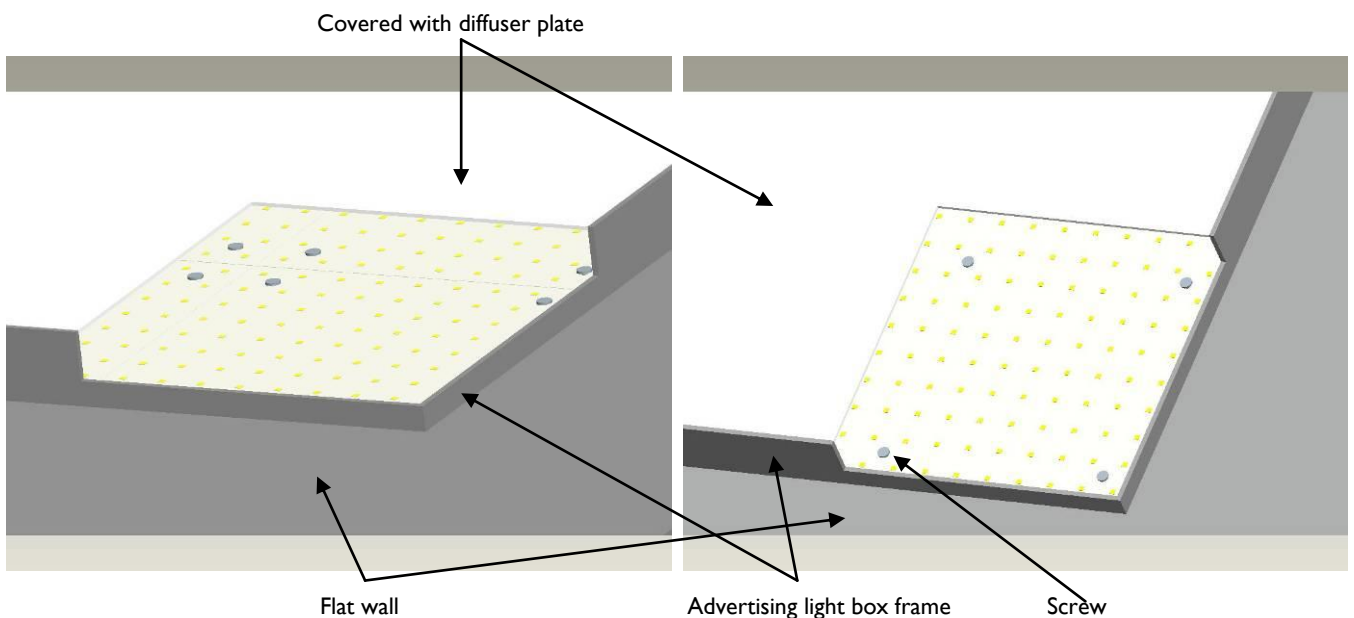


5.5x2.1mm DC plug cable(default standard model)



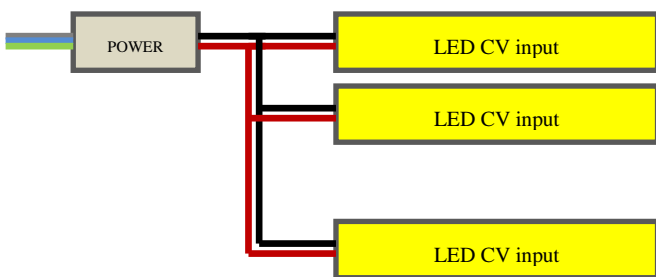
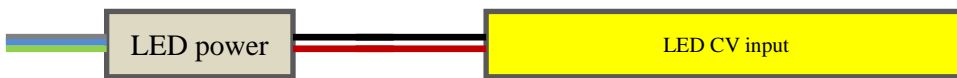
Large current terminal wires Max 10A

Advertising light boxes backlight installation diagram

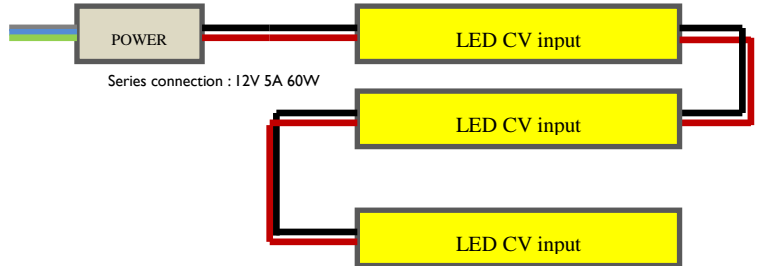


Note: Our only produce LED aluminum panel, the picture above for reference purposes only!

Wiring diagram



Parallel connection (recommended)

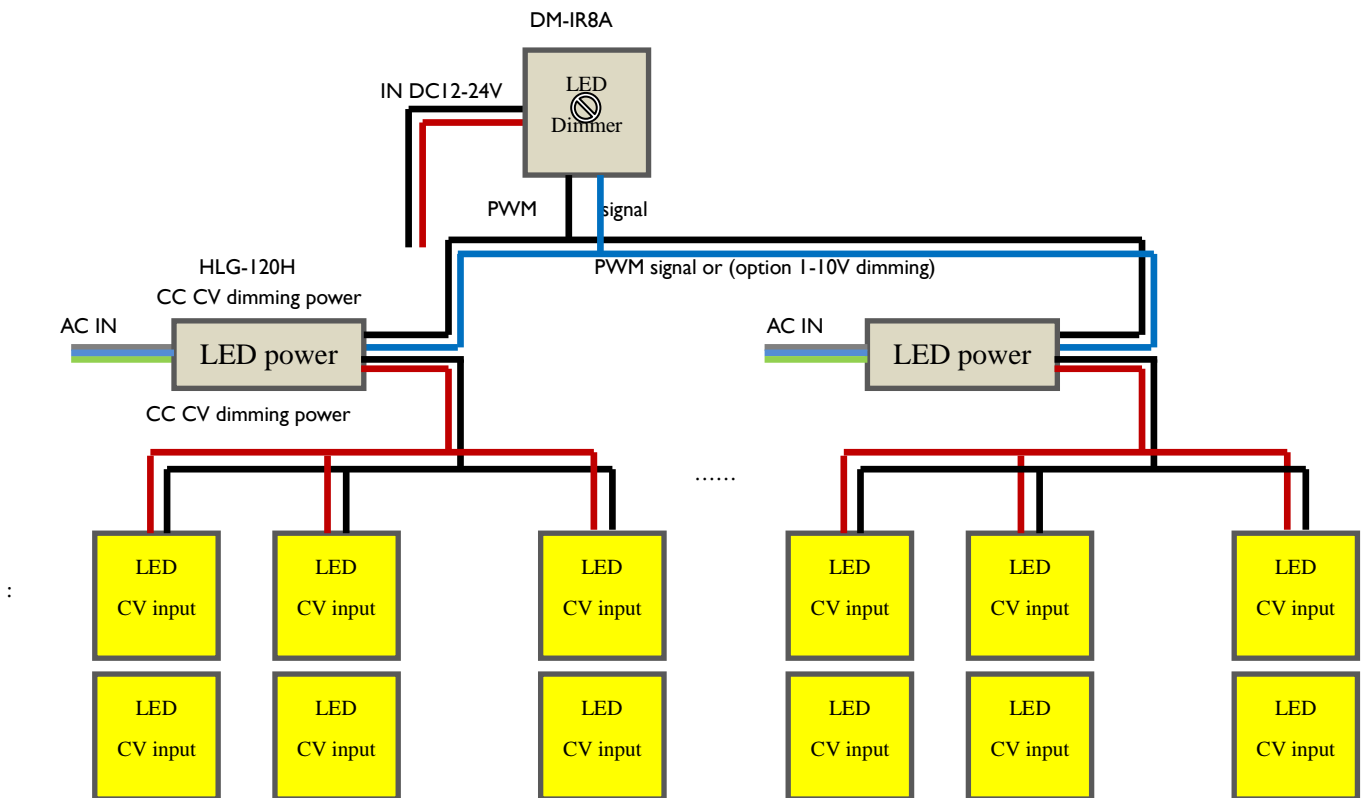


Series connection Max: 5A

Recommended Dimming system

Dimming power + PWM signal (Option I-10V)

HLG-120H-**B + DM-IR8A

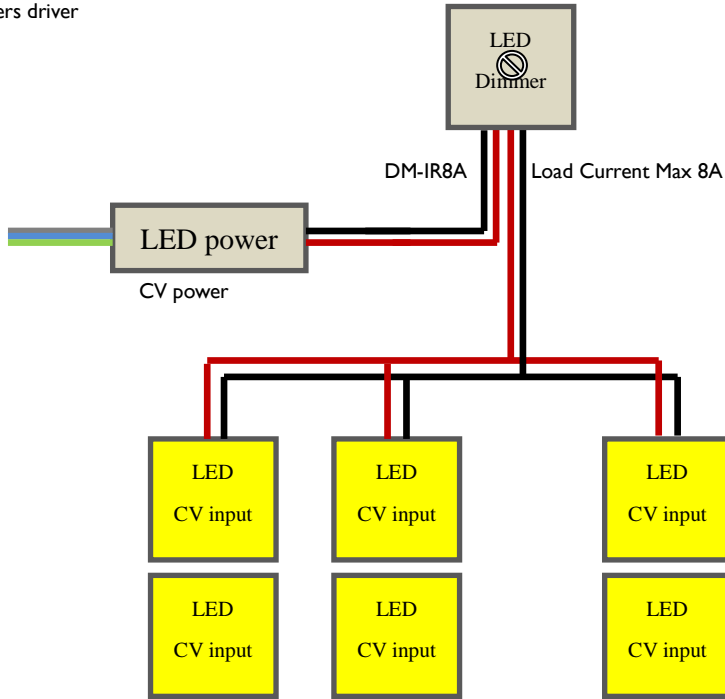


A large area of simple synchronous dimming system - No PWM flicker

Constant voltage constant current power supply - 100% load power

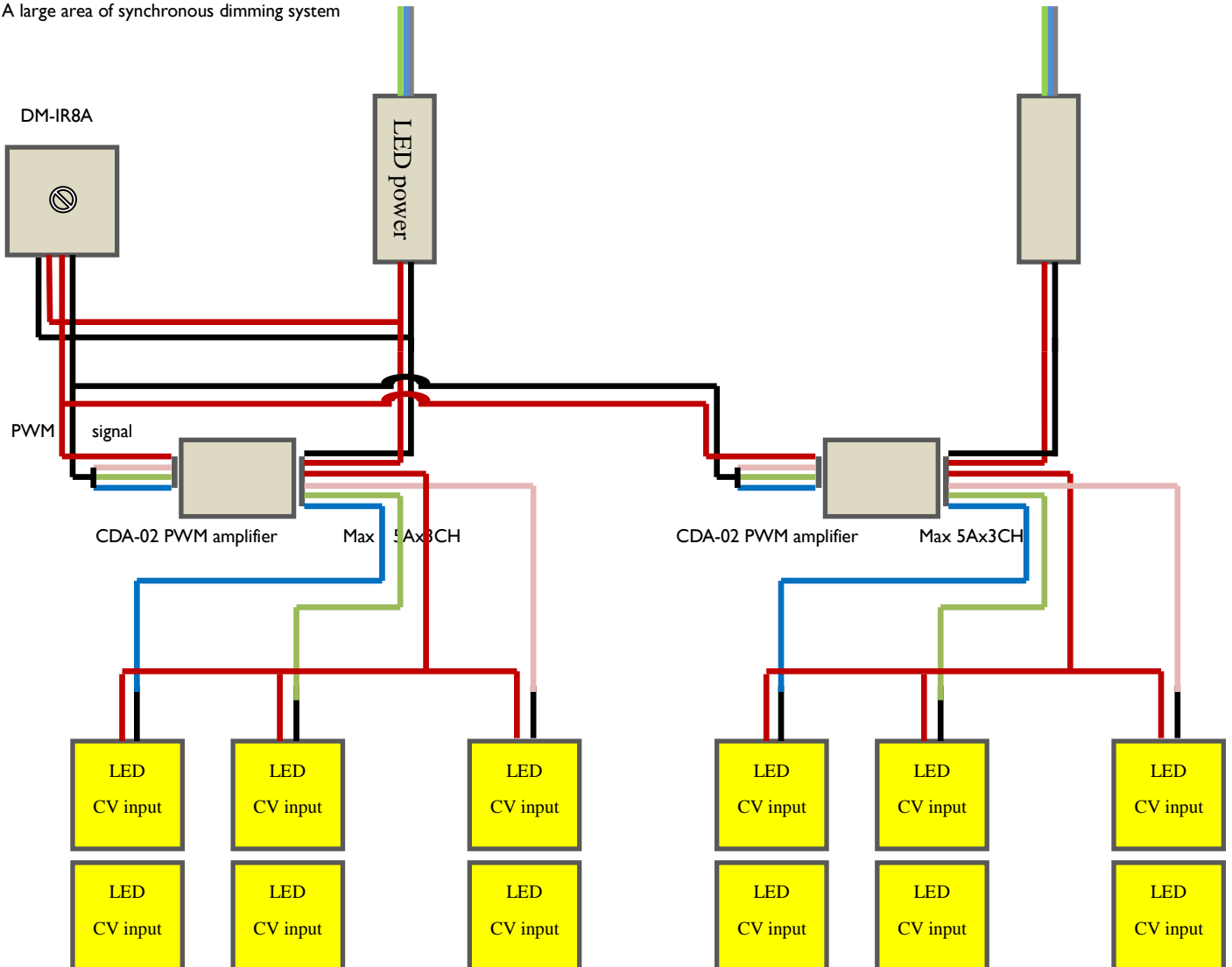
Other Dimming system

CV power + PWM dimmers driver



Calculations are based on 85% max load on Constant voltage power supply

A large area of synchronous dimming system



DM-IR8A PWM dimmers, including infra-red remote control.

CAUTION: This product is installed by a professional engineering staff.

Safety Information

1. The LED panel itself and all its components may not be mechanically stressed.
2. Assembly must not damage or destroy conducting paths on the circuit board.
3. Installation of LED lamp (with power supplies) needs to be made with regard to all applicable electrical and safety standards. Only qualified personnel should be allowed to perform installations.
4. Correct electrical polarity needs to be observed. Wrong polarity may destroy the LED panel.
5. Parallel connection is highly recommended as safe electrical operation mode.
6. Serial connection is not recommended. Unbalanced voltage drop can cause hazardous overload and damage the LED panel.
7. Please ensure that the power supply of adapters power to operate the total load.
8. When mounting on metallic or otherwise conductive surfaces, there needs to be an electrical isolation points between strip and the mounting surface.
9. Pay attention to standard ESD precautions when installing the LED panel.
10. Damaged by corrosion will not be honored as a materials defect claim. It is the user's responsibility to provide suitable protection against corrosive agents such as moisture and condensation and other harmful elements.
11. Waterproof LED panel , please note waterproof wiring department
12. LED panel can't be used as support, you need fixed in the frame, fixed to the wall, otherwise, may cause deformation.