

Description: RX-GW35-270 100W High Power LED Grow Light, Waterproof design, protection class IP65 and IK08, OSRAM Horticulture LED, Discard the traditional fan cooling solution (as a result of fan lights affect the life span of life), High-quality magnesium alloy, lighter weight, Cooling mode solutions, Higher reliability and longer life. Produce more light with the same amount of energy, Xinela Grow Light provide the perfect lighting for all types of plants and flowers, allowing to adapt the light exactly to the needs of various crops. High quality greenhouse horticulture Top lighting.



1. High Power LED Grow Light, Plants greenhouse Top lighting
2. OSRAM Horticulture LED, high efficiency.
3. Meanwell LED power supply, high reliability
4. IP65 and IK08, Robust even in humid environment
5. Customize your needs wavelengths & LED ratio
6. Optional: 450nm, 660nm, 730nm, Neutral White 4000K
7. Diameter 270mm, Power: 100W AC 90~305V PF >0.9
8. Magnesium alloy, lighter weight, Excellent Heat dissipation
9. Warranty: 5 years
10. CE RoHS FCC

Model	Dimension Net weight	LED QTY Peak Wavelength	Photon PPFD μmol/m ² /s	Power Input	Comment
RX-GW35-270-R72B6W3	Ø270mm	Red 660nm 72pcs	38.9μmol @ 1.5m	100W	T _{cp} 55 °C
	H180mm	Blue 450nm 6pcs	23.1μmol @ 2m	AC 90~305V	
	3Kg	NW4000K 3pcs	15.2μmol @ 2.5m	PF >0.9	
RX-GW35-270-R63B15W3	Ø270mm	Red 660nm 63pcs	39.2μmol @ 1.5m	100W	T _{cp} 55 °C
	H180mm	Blue 450nm 15pcs	23.9μmol @ 2m	AC 90~305V	
	3Kg	NW4000K 3pcs	15.8μmol @ 2.5m	PF >0.9	

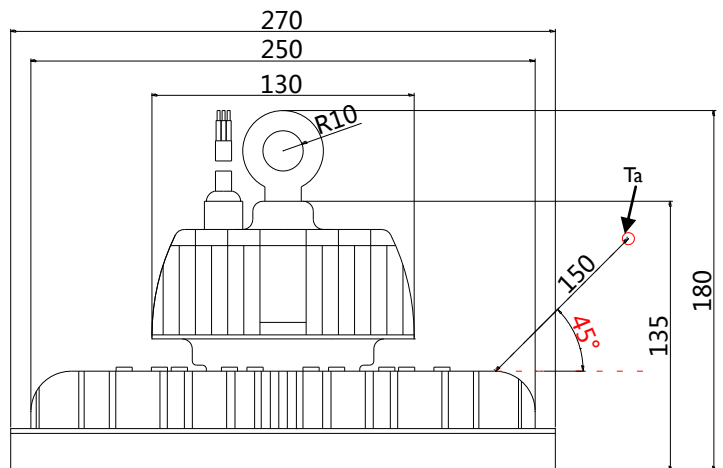
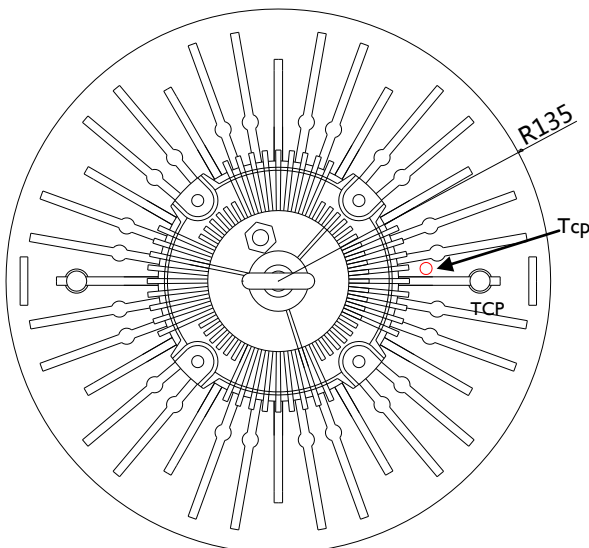
The above table data testing at room temperature is 25 °C, Cooling by free air convection. Lifetime: 50,000 hrs (Note: T_{cp} < 60 °C)

Operation Temperature: T_a -30 °C ~ 60°C (Ambient Temperature measured point)

T_c point Max: 90°C (case temperature measured point); Tolerance range for optical and electrical data: ±10 %.

Coverage Area: 6m² @ 1.5m Depth distance; 10m² @ 2m Depth distance; 15m² 2.5m Depth distance

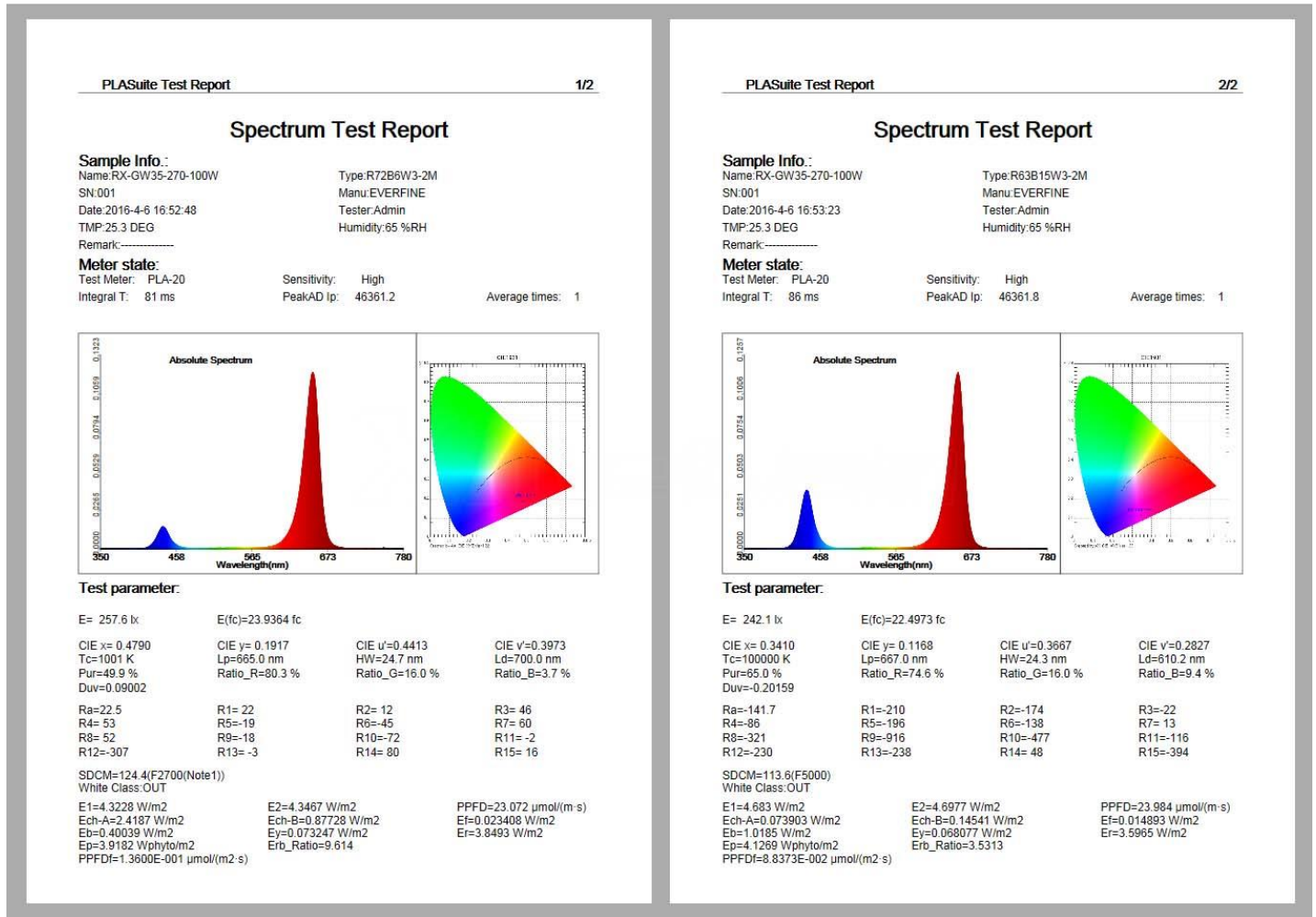
Dimension:



UNIT:mm

T_a: Ambient Temperature measured point ; T_{cp}: case temperature measured point

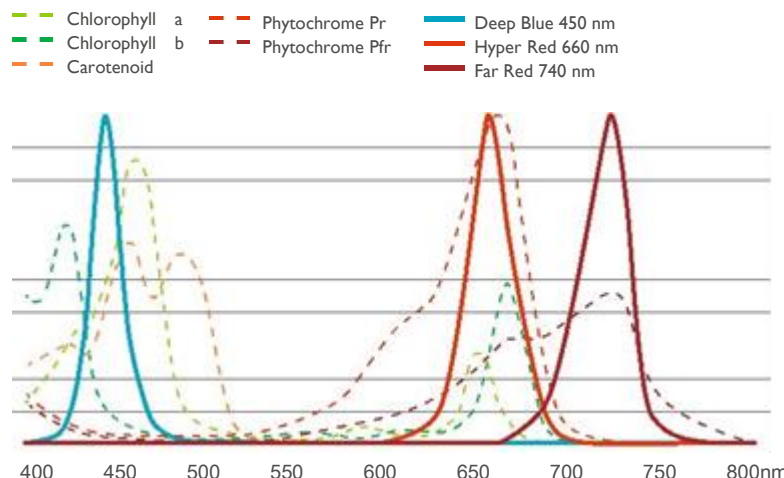
Grow Light Plant Test



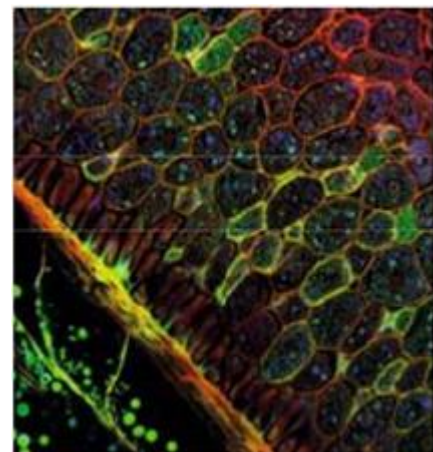
RX-GW35-270-R72B6W3 Depth distance 2M

RX-GW35-270-R63B15W3 Depth distance 2M

Spectral Power Distribution:



Each sort of plant needs its own tailored Spectral Power Distribution (SPD) to achieve the best results.



Confocal microscopy of living plant tissue

- Deep blue (450 nm) and hyper red (660 nm) to provide the light for the photosynthesis
- Far red (730 nm) to control the plant from germination to vegetative growth and flowering
- White to provide a human friendly working environment

Customize your needs wavelengths & LED ratio. Please contact us!