

### Description:

RX-GW78-120Z Toplighting medicinal plant growth module array lamp, Koray LED Grow Lights, New patent design product with unique lens, Different LED chips in one lens, Concentrating Light efficiently and More uniform spectral radiation, directional light ,higher light utilization efficiency, more efficient comparing with common grow lights. Specially designed for medicinal planting, high PAR output, optimal plant-specific spectrum, from UV to Far red, to meet the light requirements of medicinal plants, fully stimulate medicinal ingredients. It is especially used for indoor planting of medicinal plants, planting planting tents, and scientifically experimenting planting.



1. Basement, grow tent planting medicinal plants
2. Large size 0.9x1.2m (3'x4'), multiple Bar arrays, uniform spectral radiation
3. High PAR output, PPFD>700μmol/m<sup>2</sup>/s
4. D6 Spectrum - Dedicated to medicinal and medical plant growth
5. Meanwell HLG LED Power, long life more reliable
6. Waterproof IP65, Can be used in humid environments
7. LED strip distance 230mm can be adjusted according to the demand
8. Input: AC90~305V, PF >0.9 Powr:480W
9. Long life up to 50,000 hours
10. CE RoHS FCC

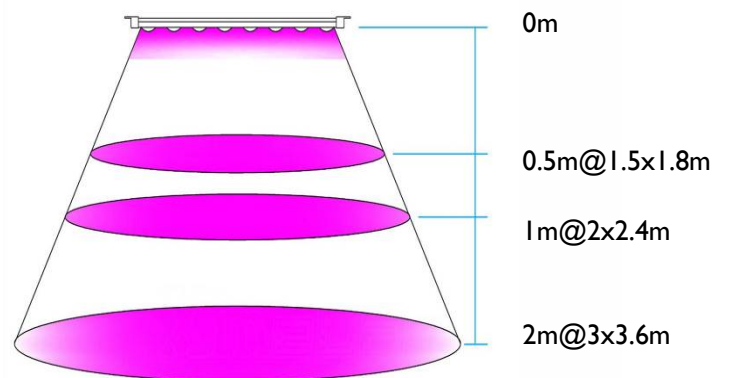
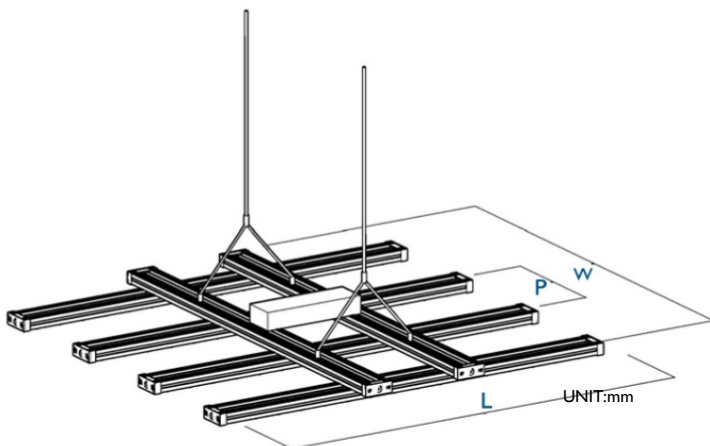
Model	Dimension LxWxH	Spectral Wavelength	Photon PPFD μmol/m <sup>2</sup> /s	Luminous flux Radiation Power	Power Input	Comment
RX-GW78-120Z-4	1213x900x110mm	D6	705μmol @0.5m 21536Lx	Flux 17000Lm	480W	Ra50 3000K German brand Horticultural LED, Recommended Grow Medicinal plants
			640μmol @0.7m 20066Lx			
			486μmol @1m 14671Lx			

Surface temperature rise Tc 32° K , Operating temperature: -30° C ~ 40° C , Lifespan: 50,000 hrs (Note: Ta ≤ 25° C)

Tolerance range for optical and electrical data: ±10 %. Light emitting angle: 60°

Recommended irradiation distance 0.5 ~ 3m; 0.5 ~ 1m for medicinal planting, 0.5 ~ 3m for vegetable cultivation, 1 ~ 3m for greenhouse fill light.

### Dimension:



P: 230mm Adjustable spacing

L: 1213mm

W: 900mm