

**Description:** RX-GW45-470A Vertical Farming Grow Lights, New patent design product with unique lens, Different LED chips in one lens, Concentrating Light efficiently and More uniform spectral radiation, directional light ,higher light utilization efficiency, more efficient comparing with common grow lights. Silicone potting waterproof, more reliable. Grow fresh healthy food in a comfortable home.To produce tall, handsome, tasty baby greens and herbs such as kale, watercress and basil. Particularly suitable for cabinets showcase, shelf plant boxes and so on.

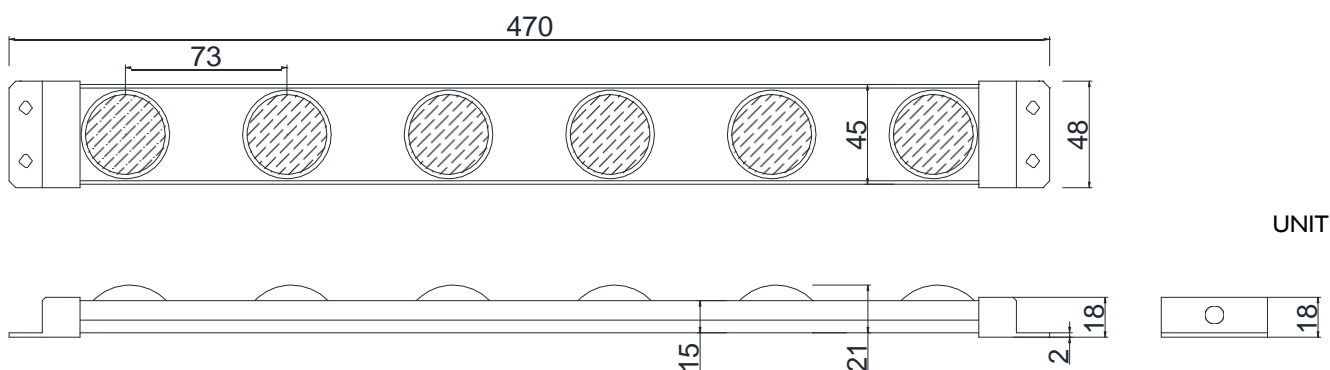


1. Vertical Farming Lights, For family houseplant farm
2. Different spectral LED in one lens, spectral radiation uniformity
3. Lens + reflector, directional illumination, higher light utilization efficiency, energy saving more than 50%
4. The preferred plant light spectrum, can customize the spectrum
5. Waterproof IP67
6. Patent number: 201620887642
7. Lifespan: 50000hours
8. CE RoHS FCC

Model	Dimension LxWxH	Spectral Wavelength	Photon PPFD $\mu\text{mol}/\text{m}^2/\text{s}$	Luminous flux Radiation Power	Power Input DC24V	Comment
RX-GW45-470	470x48x21mm	A6K3R4	167 $\mu\text{mol}$ @0.2m 8003Lx	Flux 838Lm Fe 3.6W	9.5W	Ra 80 4000K Universal type grow light suitable for most plants
			106 $\mu\text{mol}$ @0.3m 5130Lx			
			48 $\mu\text{mol}$ @0.5m 2341Lx			
RX-GW45-470		A6K2R5	161 $\mu\text{mol}$ @0.2m 6451Lx	Flux 661Lm Fe 3.3W	9.5W	Ra65 3000K Plant factory Vegetable cultivation
			97 $\mu\text{mol}$ @0.3m 3996Lx			
			45 $\mu\text{mol}$ @0.5m 1926Lx			
RX-GW45-470		A6K6R1	153 $\mu\text{mol}$ @0.2m 9900Lx	Flux 1073Lm Fe 3.7W	9.5W	Ra90 5800K nursery ornamental plants succulents
			99 $\mu\text{mol}$ @0.3m 6406Lx			
			46 $\mu\text{mol}$ @0.5m 2987Lx			
RX-GW45-470		A6K5R1BI	155 $\mu\text{mol}$ @0.2m 9305Lx	Flux 952Lm Fe 3.8W	9.5W	Ra 88 10000K Rhizomes Plants Aquarium
			97 $\mu\text{mol}$ @0.3m 5747Lx			
			46 $\mu\text{mol}$ @0.5m 2655Lx			

Surface temperature rise Tc: 18 K, Operating temperature: -30 ° C ~ 40 ° C, Lifespan: 50,000 hrs (Note: Ta ≤ 25 ° C)  
Tolerance range for optical and electrical data: ± 10%.  
Beam angle: 60° Recommended irradiation distance: 0.2~0.5m

Dimension:



UNIT: mm