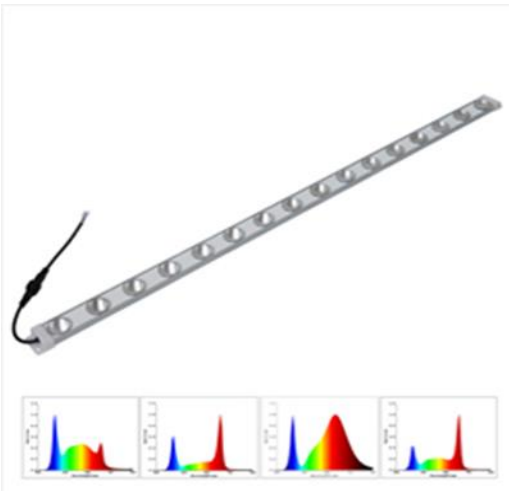


Description: RX-GW45-120A Horticulture LED Production Module Waterproof LED Grow Light - New patent design product with unique lens, Different LED chips in one lens, Concentrating Light efficiently and More uniform spectral radiation, directional light ,higher light utilization efficiency, more efficient comparing with common grow lights. Silicone potting waterproof, more reliable. Suitable for various kinds of plant cultivation and especially for high-density shelf structure Plant Factories , Cupboard Showcase, planting boxes, plant cultivation.



1. Urban Vertical Agriculture - Horticulture LED Production Module grow
2. High PPFD, One Bar equivalent to 3 T8 Tube, Build your plant farm with fewer lights!
3. Different LED chips in one lens, Spectral radiation uniform, Lens + Reflector cup, Concentrating radiation, Energy saving 50%, Beam angle 60°
4. Ultra-thin 21 mm, multi-shelf lighting plant growth lights
5. Silicone potting waterproof IP67
6. The preferred plant light spectrum, Customize the spectrum you need (for specialized companies only)
7. Patent No: 201620887642
8. Lifespan: 50000hours
9. CE RoHS FCC

Model	Dimension	LED QTY Peak Wavelength	Photon PPFD μmol/m ² /s	Luminous flux Radiation Power	Power Input DC24V	Comment
RX-GW45-120H	1200x48x21mm 1.1Kg	A6K6R1	251 μmol @0.2m 16120Lx	Flux 3609Lm Fe 13W	39W	Ra90 6000K Tissue culture and nursery Ornamental plant Succulents
			163 μmol @0.3m 10538Lx			
			95 μmol @0.5m 3757Lx			
RX-GW45-120H		A6K3R4	261 μmol @0.2m 11655Lx	Flux 2729Lm Fe 13W	42W	Ra70 Vegetable cultivation
			176 μmol @0.3m 7863Lx			
			103 μmol @0.5m 4619Lx			
RX-GW45-120H		AK6	256 μmol @0.2m 12697Lx	Flux 2578Lm Fe 12W	40W	Ra 90 4000K Ornamental plant, flowers, flytrap Dionaea
			168 μmol @0.3m 8355Lx			
			99 μmol @0.5m 4897Lx			
RX-GW45-120H		A4K2R4B1	245 μmol @0.2m 8879Lx	Flux 2079Lm Fe 12W	41W	Ra50 Red than Blue Universal type grow light
			160 μmol @0.3m 5657Lx			
			95 μmol @0.5m 3282Lx			

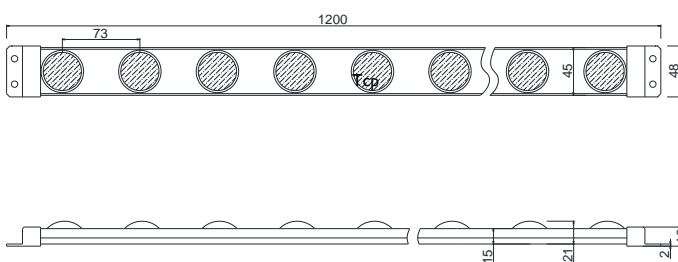
Surface temperature rise Tc 28 K, Operating temperature: -30 °C ~ 40 °C, Lifespan: 50,000 hrs (Note: Ta ≤ 25 °C)

Tolerance range for optical and electrical data: ± 10%. Beam angle: 60° Recommended irradiation distance: 0.2~0.5m.

Note: These lenses are made of highly transparent PMMA materials, which cannot be cleaned by alcohol or chemical reagents. Please use diluted soapy water for cleaning if it's necessary.

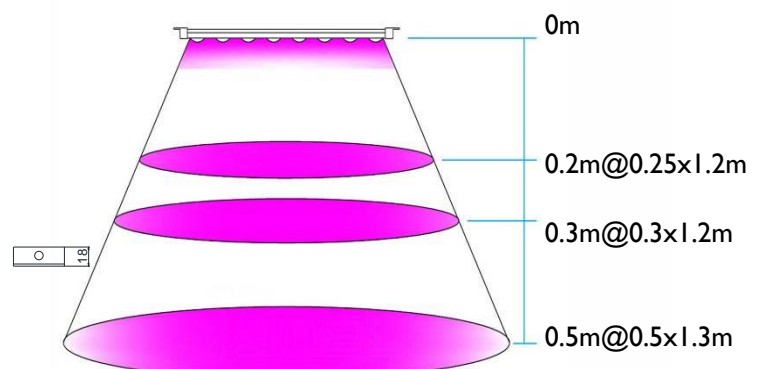
Dimension:

Depth distance & Coverage:



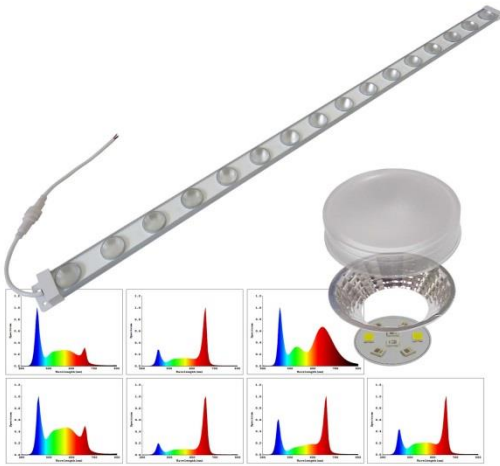
UNIT:mm

RX-GW45-120H



Description:

RX-GW45-900A Vertical farm Hydroponics Grow Lights, New patent design product with unique lens, Different LED chips in one lens, Concentrating Light efficiently and More uniform spectral radiation, directional light ,higher light utilization efficiency, more efficient comparing with common grow lights. Silicone potting waterproof, more reliable. Grow fresh healthy food in a comfortable home. To produce tall, handsome, tasty baby greens and herbs such as kale, watercress and basil. Particularly suitable for cabinets showcase, shelf plant boxes and so on.



1. Urban agriculture vertical farm Hydroponics Grow Lights Bar
2. High PPFD, One Bar equivalent to 3 T8 Tube, Build your plant farm with fewer lights!
3. Different spectral LED in one lens, spectral radiation uniformity
4. Lens + reflector, directional illumination, higher light utilization efficiency, energy saving more than 50%
5. The preferred plant light spectrum, can customize the spectrum
6. Waterproof IP65
7. Patent number: 201620887642
8. Lifespan: 50000hours
9. CE RoHS FCC

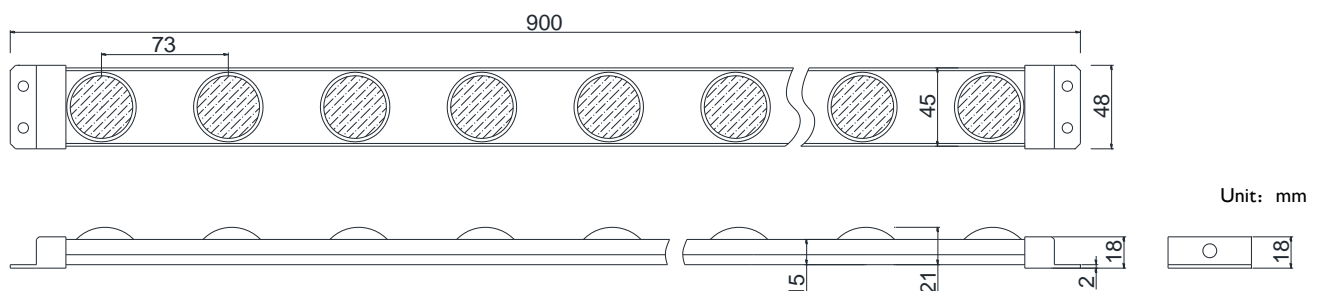
Model	Dimension LxWxH	Spectral Wavelength	Photon PPFD $\mu\text{mol}/\text{m}^2/\text{s}$	Luminous flux Radiation Power	Power Input DC24V	Comment
RX-GW45-900	900x48x21mm	A6K3R4	158 μmol @0.2m 7547Lx	Flux 1469Lm Fe 6.4W	19W	Ra 80 4000K Universal type grow light suitable for most plants
			104 μmol @0.3m 4939Lx			
			59 μmol @0.5m 2785Lx			
RX-GW45-900		A6K2R5	162 μmol @0.2m 6650Lx	Flux 1275Lm Fe 6.3W	19W	Ra65 3000K Plant factory Vegetable cultivation
			102 μmol @0.3m 4186Lx			
			59 μmol @0.5m 2420Lx			
RX-GW45-900		A6K6R1	150 μmol @0.2m 9766Lx	Flux 1863Lm Fe 6.5W	18W	Ra90 5800K nursery ornamental plants succulents
			98 μmol @0.3m 6380Lx			
			57 μmol @0.5m 3667Lx			
RX-GW45-900		A6K5R1BI	150 μmol @0.2m 8932Lx	Flux 1758Lm Fe 7.0W	18W	Ra 88 10000K Rhizomes Plants Aquarium
			99 μmol @0.3m 5910Lx			
			57 μmol @0.5m 3403Lx			

Surface temperature rise Tc 18 K, Operating temperature: -30 ° C ~ 40 ° C, Lifespan: 50,000 hrs (Note: Ta ≤ 25 ° C)

Tolerance range for optical and electrical data: ± 10%.

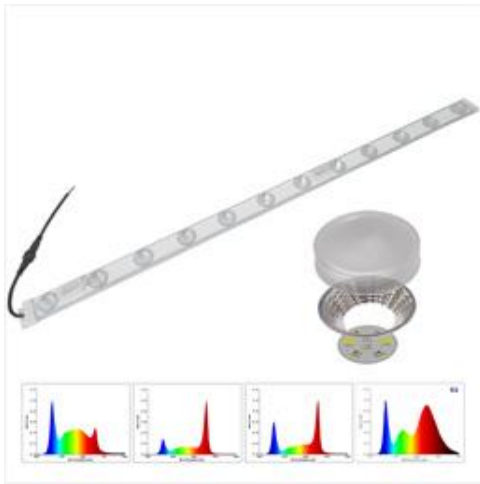
Beam angle: 60° Recommended irradiation distance: 0.2~0.5m

Dimension:



Unit: mm

Description: RX-GW45-AC Input Waterproof Grow Lights Bar, Designed for urban agriculture, vertical farm design, patented product, unique lens structure - high efficiency spotlight, uniform spectral radiation, directional illumination, higher utilization of light, more energy efficient than ordinary plant lights, saving more than 50% energy compared to T8; High PPF, One Bar equivalent of 3 Tube, grows faster vegetables, uses fewer lights to build your plant farm, Silicagel potting is waterproof and more reliable. Suitable for nursery, Vegetable production, especially for the multi-layer cultivation systems of plant factories.



1. Urban agriculture vertical farm Grow Lights Bar
2. One Bar equivalent to 3 T8 Tube, Build your plant farm with fewer lights!
3. Different spectral LED in one lens, spectral radiation uniformity
4. Lens + reflector, directional illumination, higher light utilization efficiency, energy saving more than 50%
5. The preferred plant light spectrum, can customize the spectrum
6. 100% no flicker, eye protection, easy to shoot, more affinity.
7. Waterproof IP65
8. Input: AC100~240V PF >0.9
9. Patent number: 201620887642
10. Lifespan: 25000hours
11. CE RoHS FCC

Model	Dimension LxWxH	Spectral Wavelength	Photon PPF $\mu\text{mol}/\text{m}^2/\text{s}$	Luminous flux Radiation Power	Power Input	Comment
RX-GW45-AC120 -D6K3R4	1200x48x21mm	6K DR660	162 μmol @0.2m 6575Lx	Flux 1635Lm Fe 8.2W	28W AC230 PF0.9	Ra72 3500K Universal type grow light suitable for most plants
			105 μmol @0.3m 4264Lx			
			63 μmol @0.5m 2606Lx			
RX-GW45-AC120 -D6K6R1	900x48x21mm	6K DR660	213 μmol @0.2m 13680Lx	Flux 3087Lm Fe 10.8W	31W AC230 PF0.9	Ra90 5800K Tissue culture and nursery Ornamental plant succulents
			131 μmol @0.3m 8340Lx			
			76 μmol @0.5m 4857Lx			
RX-GW45-AC120-6K6R1	615x48x21mm	6K 48pcs DR660 8pcs	121 μmol @0.2m 7897Lx	Flux 2237Lm Fe 7.9W	22W PF >0.9	Ra90 5800K Tissue culture and nursery Ornamental plant succulents
			83 μmol @0.3m 5350Lx			
			51 μmol @0.5m 3325Lx			
RX-GW45-AC120-K4	470x48x21mm	Full Spectrum K4	59.50 μmol @0.3m	Flux 1184Lm Fe 5.9W	20W PF >0.9	Ra72 3500K Tissue culture Universal type grow light suitable for most plants
			45.31 μmol @0.4m			
			36.66 μmol @0.5m			
RX-GW45-AC90 -6K7R1	1200x48x21mm	6K 56pcs DR660 8pcs	184 μmol @0.2m 11838Lx	Flux 2264Lm Fe 8.3W	22W AC230 PF 0.9	Ra72 3500K Universal type grow light suitable for most plants
			111 μmol @0.3m 7277Lx			
			68 μmol @0.5m 4406Lx			
RX-GW45-AC90 -6K3R5	900x48x21mm	6K 24pcs DR660 48pcs	138 μmol @0.2m 5597Lx	Flux 1711Lm Fe 8.4W	20W AC230 PF 0.9	Ra65 3000K Leaf vegetable cultivation
			94 μmol @0.3m 3774Lx			
			56 μmol @0.5m 2261Lx			
RX-GW45-AC60-6K6R1	615x48x21mm	6K DR660	212 μmol @0.2m 13991Lx	Flux 1684Lm Fe 5.8W	15.5W AC230 PF 0.9	Ra90 5800K Tissue culture and nursery Ornamental plant succulents
			128 μmol @0.3m 8378Lx			
			62 μmol @0.5m 1365Lx			
RX-GW45-AC60-6K3R4	470x48x21mm	6K DR660	169 μmol @0.2m 7121Lx	Flux 892Lm Fe 4.2W	13.5W AC230 PF 0.9	Ra72 3500K Universal type grow light suitable for most plants
			106 μmol @0.3m 4650Lx			
			55 μmol @0.5m 2391Lx			

Surface temperature rise Tc 22°K , LED Power temperature rise Tc: 41 °K, Operating temperature: -30°C ~ 40°C , Lifespan: 25,000 hours (Note: Ta 25 °C)

Tolerance range for optical and electrical data: $\pm 10\%$.

High PPF, such as the D Type, can be used for tissue culture and nursery (spacing depth > 0.3M), also applies to plant vegetative growth.

RX-GW45-A Horticulture LED Production Module quotation

Description: RX-GW45-A DC Input Waterproof Grow Plants Lights, New patent design product with unique lens, Different LED chips in one lens, Concentrating Light efficiently and More uniform spectral radiation, directional light ,higher light utilization efficiency, more efficient comparing with common grow lights. Silicone potting waterproof, more reliable. Suitable for various kinds of plant cultivation and especially for high-density shelf structure Plant Factories , Cupboard Showcase, planting boxes, plant cultivation.



1. Urban agriculture vertical farm Hydroponics Grow Lights Bar
2. High PPF, One Bar equivalent to 3 T8 Tube, Build your plant farm with fewer lights!
3. Different spectral LED in one lens, spectral radiation uniformity
4. Lens + reflector, directional illumination, higher light utilization efficiency, energy saving more than 50%
5. The preferred plant light spectrum, can customize the spectrum
6. Waterproof IP67
7. Patent number: 201620887642
8. Lifespan: 50000hours
9. CE RoHS FCC

Model	Dimension LxWxH	Spectral Wavelength	Photon PPF $\mu\text{mol}/\text{m}^2/\text{s}$	Luminous flux Power DC24V	Comment
RX-GW45-120	1200x48x21mm	A6K3R4	158 μmol @0.2m 7640Lx	Flux 1987Lm 24W	Ra 80 4000K Universal type grow light suitable for most plants
			103 μmol @0.3m 4883Lx		
			62 μmol @0.5m 2976Lx		
RX-GW45-900	900x48x21mm	A6K2R5	162 μmol @0.2m 6650Lx	Flux 1711Lm 19W	Ra65 3000K Plant factory Vegetable cultivation
			102 μmol @0.3m 4186Lx		
			59 μmol @0.5m 2420Lx		
RX-GW45-615	615x48x21mm	A6K6R1	176 μmol @0.2m 11332Lx	Flux 1466Lm 13W	Ra90 5800K nursery ornamental plants succulents
			109 μmol @0.3m 7043Lx		
			57 μmol @0.5m 3673Lx		
RX-GW45-470	470x48x21mm	A6K3R4	167 μmol @0.2m 8003Lx	Flux 838Lm 9.5W	Ra 80 4000K Universal type grow light suitable for most plants
			106 μmol @0.3m 5130Lx		
			48 μmol @0.5m 2341Lx		
RX-GW45-350	350x48x21mm	A6K6R1	156 μmol @0.2m 10109Lx	Flux 777Lm 6.4W	Ra90 5800K nursery ornamental plants succulents
			84 μmol @0.3m 5460Lx		
			33 μmol @0.5m 2158Lx		

Surface temperature rise Tc: 18 K, Operating temperature: -30 ° C ~ 40 ° C, Lifespan: 50,000 hrs (Note: Ta ≤ 25 ° C)

Tolerance range for optical and electrical data: ± 10%.

Beam angle: 60° Recommended irradiation distance: 0.2~0.5m

- 1.) Above prices base on Ex Works
- 2.) Minimum order quantity: 500PCS, Sample price surcharge 20%, (MOQ: 3000pcs Price -3%)
- 3.) Shipment: upon received payment 10-25 days
- 4.) Payment: T/T in Advance

Description: RX-GW45-DC515H High power Waterproof LED Grow Light - New patent design product with unique lens, Different LED chips in one lens, Concentrating Light efficiently and More uniform spectral radiation, directional light ,higher light utilization efficiency, more efficient comparing with common grow lights. Silicone Potted waterproof, more reliable. Suitable for various kinds of plant cultivation and especially for high-density shelf structure Plant Factories , Cupboard Showcase, planting boxes, plant cultivation.

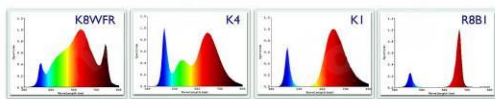
Many different LED chips in one lens,
Uniform Spectral Radiation.

Patented product



Lens + Reflector cup

Concentrating radiation, Energy saving 50%



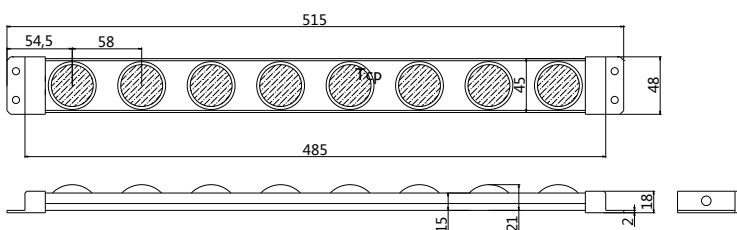
1. Different LED chips in one lens, Spectral radiation uniform, Lens + Reflector cup, Concentrating radiation, Energy saving 50%, Beam angle 60 °
2. Ultra-thin 21mm, multi-shelf lighting plant growth lights
3. Silicone potting waterproof IP67
4. Optional other wavelengths: 450nm, 660nm, 730nm
5. Customize the spectrum you need (for specialized companies only)
6. Input: DC24V, Power: 20W; (Length 515 mm)
7. New design, Patent No: 201620887642
8. Lifespan: 50000hours
9. CE RoHS FCC

Model	Dimension	LED QTY Peak Wavelength	Photon PPFD μmol/m²/s	Luminous flux Radiation Power	Power Input	Comment
RX-GW45-DC515H-K4	515x48x21mm 420g	Full Spectrum K4 56pcs	289.23μmol @0.2m	Flux 1452Lm Fe 7.4W	20W	Universal type grow light Ra 70 Ornamental plants, Vegetable plant factory
190.83μmol @0.3m						
83.55μmol @0.5m						
RX-GW45-DC515H-K1		Full Spectrum K1 56pcs	237.54μmol @0.2m	Flux 681Lm Fe 2.7W	20W	Plant factory And home vegetable cultivation
159.54μmol @0.3m						
76.29μmol @0.5m						
RX-GW45-DC515H-KN5R2	Full Spectrum KN 40pcs DR660nm 16pcs	298.11μmol @0.2m	Flux 1911Lm Fe 7.3W	20W	CRI Ra90 For home planting - flowers, potted ornamental plants	
193.19μmol @0.3m						
91.52μmol @0.5m						
RX-GW45-DC515H-R6B1	660nm Red 48pcs 450nm Blue 8pcs	254.73μmol @0.2m	Flux 179Lm Fe 3.9W	19W	Deep Blue + Deep Red 6:1 For leafy vegetable planting	
162.09μmol @0.3m						
75.25μmol @0.5m						

Surface temperature rise Tc 30°K , Operating temperature: -30 °C ~ 40°C , Lifespan: 50,000 hrs (Note: Ta ≤ 25 °C)

Tolerance range for optical and electrical data: ±10 %.

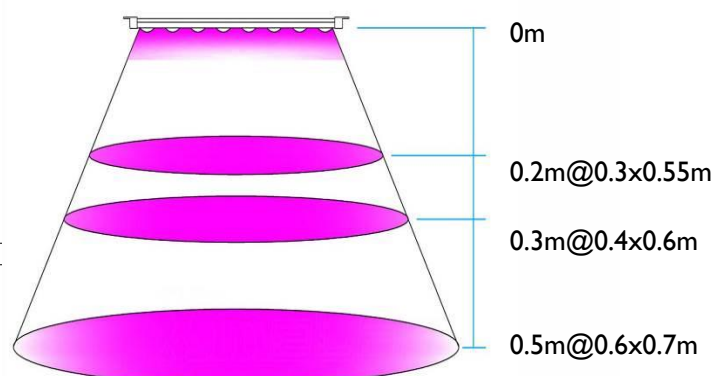
Dimension:



UNIT:mm

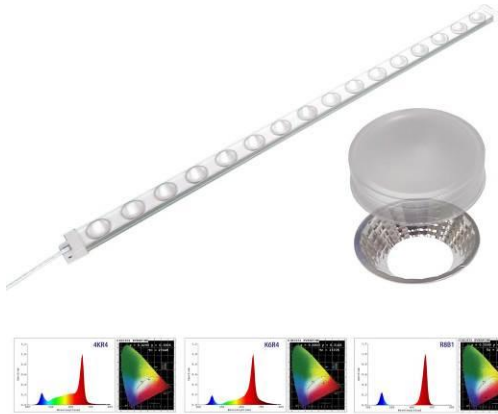
RX-GW45-DC515

Depth distance & Coverage:



Description:

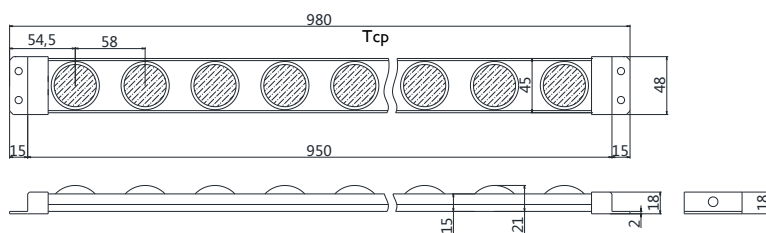
RX-GW45-DC980 Horticulture LED Production Module Waterproof LED Grow Light - New patent design product with unique lens, Different LED chips in one lens, Concentrating Light efficiently and More uniform spectral radiation, directional light ,higher light utilization efficiency, more efficient comparing with common grow lights.. Silicone Potted waterproof, more reliable. Suitable for various kinds of plant cultivation and especially for high-density shelf structure Plant Factories , Cupboard Showcase, planting boxes, plant cultivation.



1. Different LED chips in one lens, Spectral radiation uniform, Lens + Reflector cup, Concentrating radiation, Energy saving 50%, Beam angle 60 °
2. Ultra-thin 21 mm, multi-shelf lighting plant growth lights
3. Silicone potting waterproof IP67
4. Optional other wavelengths: 450nm, 660nm, 730nm
5. Customize the spectrum you need (for specialized companies only)
6. Input: DC24V, Power: 24W; (Length 980mm)
7. New design, Patent No: 201620887642
8. Lifespan: 50000hours
9. CE RoHS FCC

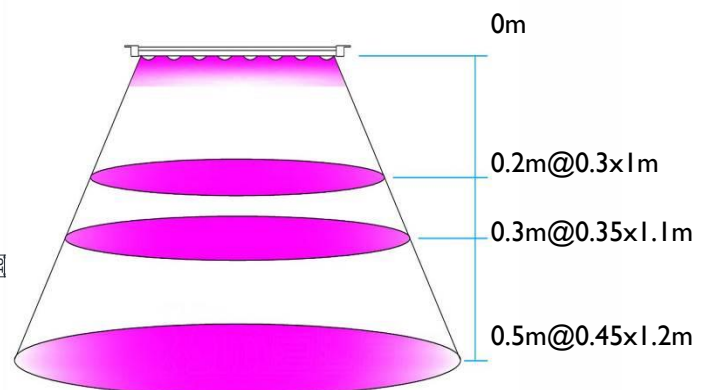
Model	Dimension	LED QTY Peak Wavelength	Photon PPFD $\mu\text{mol}/\text{m}^2/\text{s}$	Luminous flux Radiation Power	Power Input DC24V	Comment	
RX-GW45-DC980-4KR4	980x48x21mm 920g	Full Spectrum 4K 64pcs DR660nm 64pcs	171 μmol @0.2m 8162Lx 113 μmol @0.3m 5378Lx 66 μmol @0.5m 3159Lx	Flux 1601Lm Fe 7W	22W	Ra 84 Vegetable cultivation	
RX-GW45-DC980-6KR4		Full Spectrum 6K 64pcs DR660nm 64pcs	191 μmol @0.2m 8813Lx 126 μmol @0.3m 5817Lx 73 μmol @0.5m 3361Lx	Flux 1008Lm Fe 6.3W		Ra 76 Vegetable cultivation Nursery tissue culture	
RX-GW45-DC980-K4		Full Spectrum K4 112pcs	137 μmol @0.2m 6380Lx 94 μmol @0.3m 4373Lx 58 μmol @0.5m 2589Lx	Flux 1409Lm Fe 7.1W		24W	Ra 70 Universal type grow light
RX-GW45-DC980-R8B1		DR660 128pcs DB450nm 16pcs	177 μmol @0.2m 2306Lx 118 μmol @0.3m 1544Lx 71 μmol @0.5m 923Lx	Flux 438Lm Fe 7W		22W	DR660:DB450 8:1 Lettuce cultivation
Surface temperature rise Tc: 18 K, Operating temperature: -30 °C ~ 40 °C, Lifespan: 50,000 hrs (Note: Ta ≤ 25 °C) Tolerance range for optical and electrical data: ± 10%.							

Dimension:

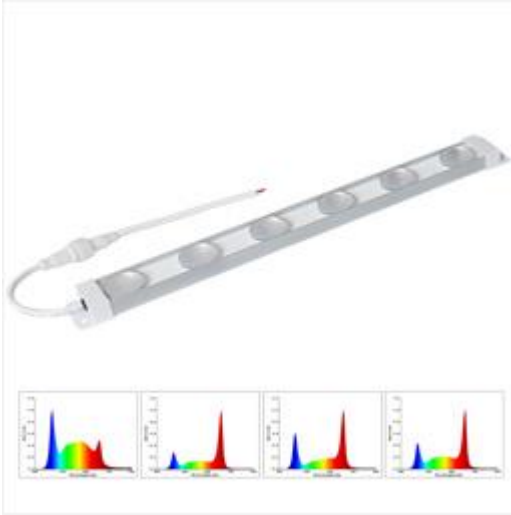


RX-GW45-DC980

Depth distance & Coverage:



Description: RX-GW45-470A Vertical Farming Grow Lights, New patent design product with unique lens, Different LED chips in one lens, Concentrating Light efficiently and More uniform spectral radiation, directional light ,higher light utilization efficiency, more efficient comparing with common grow lights. Silicone potting waterproof, more reliable. Grow fresh healthy food in a comfortable home. To produce tall, handsome, tasty baby greens and herbs such as kale, watercress and basil. Particularly suitable for cabinets showcase, shelf plant boxes and so on.



1. Vertical Farming Lights, For family houseplant farm
2. Different spectral LED in one lens, spectral radiation uniformity
3. Lens + reflector, directional illumination, higher light utilization efficiency, energy saving more than 50%
4. The preferred plant light spectrum, can customize the spectrum
5. Waterproof IP67
6. Patent number: 201620887642
7. Lifespan: 50000hours
8. CE RoHS FCC

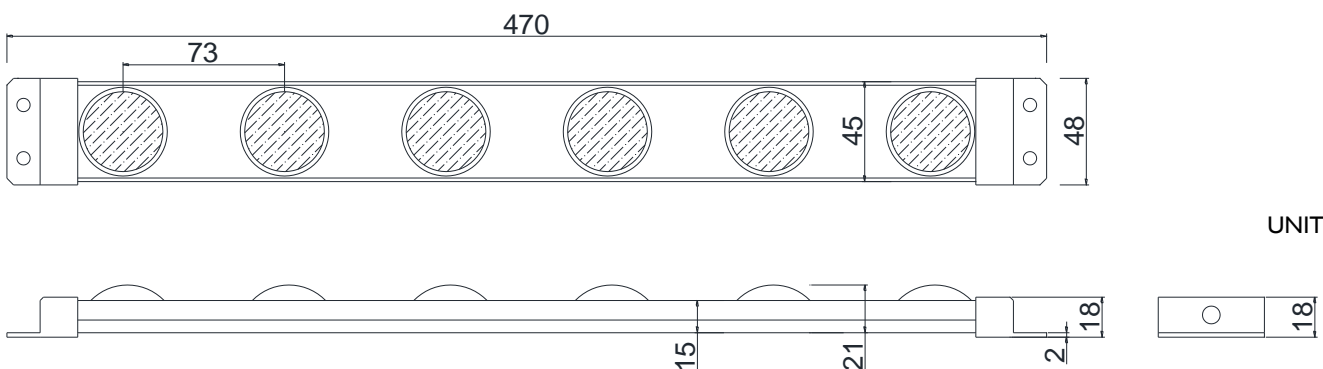
Model	Dimension LxWxH	Spectral Wavelength	Photon PPFD $\mu\text{mol}/\text{m}^2/\text{s}$	Luminous flux Radiation Power	Power Input DC24V	Comment
RX-GW45-470	470x48x21mm	A6K3R4	167 μmol @0.2m 8003Lx	Flux 838Lm Fe 3.6W	9.5W	Ra 80 4000K Universal type grow light suitable for most plants
			106 μmol @0.3m 5130Lx			
			48 μmol @0.5m 2341Lx			
RX-GW45-470		A6K2R5	161 μmol @0.2m 6451Lx	Flux 661Lm Fe 3.3W	9.5W	Ra65 3000K Plant factory Vegetable cultivation
			97 μmol @0.3m 3996Lx			
			45 μmol @0.5m 1926Lx			
RX-GW45-470		A6K6R1	153 μmol @0.2m 9900Lx	Flux 1073Lm Fe 3.7W	9.5W	Ra90 5800K nursery ornamental plants succulents
			99 μmol @0.3m 6406Lx			
			46 μmol @0.5m 2987Lx			
RX-GW45-470		A6K5R1B1	155 μmol @0.2m 9305Lx	Flux 952Lm Fe 3.8W	9.5W	Ra 88 10000K Rhizomes Plants Aquarium
			97 μmol @0.3m 5747Lx			
			46 μmol @0.5m 2655Lx			

Surface temperature rise T_c 18 K, Operating temperature: $-30^\circ\text{C} \sim 40^\circ\text{C}$, Lifespan: 50,000 hrs (Note: $T_a \leq 25^\circ\text{C}$)

Tolerance range for optical and electrical data: $\pm 10\%$.

Beam angle: 60° Recommended irradiation distance: 0.2~0.5m

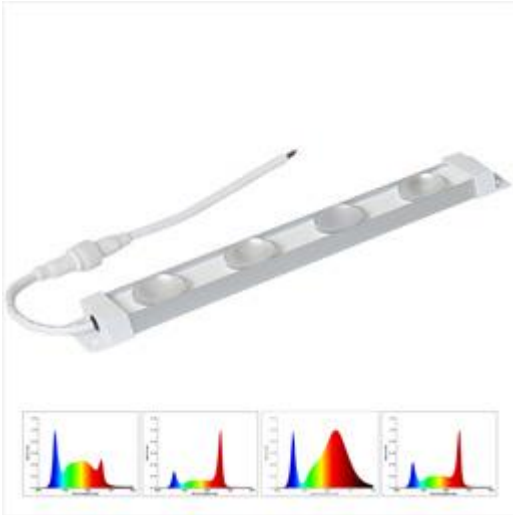
Dimension:



UNIT: mm

Description:

RX-GW45-350A Household cabinets grow planting lights, Plants to grow without sunlight in indoor environments. Suitable for planting ornamental plants, succulents. New patent design product with unique lens, Different LED chips in one lens, Concentrating Light efficiently and More uniform spectral radiation, directional light ,higher light utilization efficiency, more efficient comparing with common grow lights. Silicone potting waterproof, more reliable. Particularly suitable for cabinets showcase, shelf plant boxes and so on.



1. Ornamental Plant & succulents in matted rooms
2. Vertical Farming Lights, For family houseplant farm
3. Different spectral LED in one lens, spectral radiation uniformity
4. Lens + reflector, directional illumination, higher light utilization efficiency, energy saving more than 50%
5. The preferred plant light spectrum, can customize the spectrum
6. Waterproof IP65
7. Patent number: 201620887642
8. Lifespan: 50000hours
9. CE RoHS FCC

Model	Dimension LxWxH	Spectral Wavelength	Photon PPFD $\mu\text{mol}/\text{m}^2/\text{s}$	Luminous flux Radiation Power	Power Input DC24V	Comment
RX-GW45-350	350x48x21mm	A6K3R4	158 μmol @0.2m 7526Lx	Flux 585Lm Fe 2.5W	6.5W	Ra 80 4000K Universal type grow light suitable for most plants
			87 μmol @0.3m 4129Lx			
			35 μmol @0.5m 1663Lx			
RX-GW45-350	350x48x21mm	A6K6R1	156 μmol @0.2m 10110Lx	Flux 778Lm Fe 2.7W	6.5W	Ra90 5800K nursery ornamental plants succulents
			84 μmol @0.3m 5460Lx			
			33 μmol @0.5m 2158Lx			

Surface temperature rise Tc 18 K, Operating temperature: -30 ° C ~ 40 ° C, Lifespan: 50,000 hrs (Note: Ta ≤ 25 ° C)

Tolerance range for optical and electrical data: ± 10%.

Beam angle: 60° Recommended irradiation distance: 0.2~0.5m

Optional spectrum:

A6K2R5 (A6K1R6): Fast growth leafy vegetables;

A6K3R4: Universal spectrum, suitable for most plant growth;

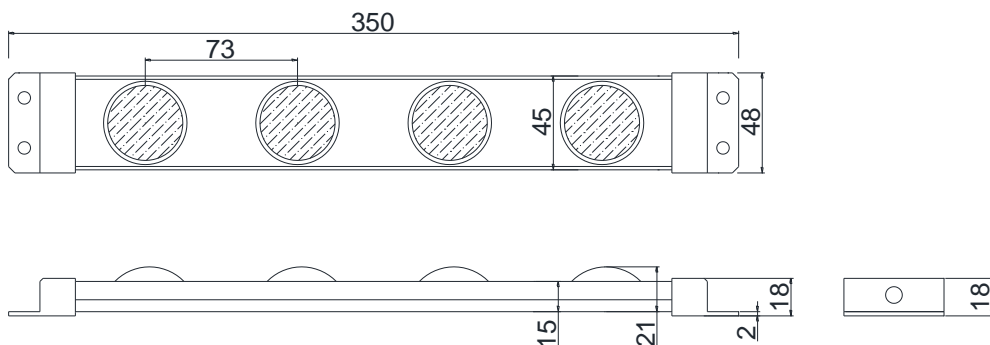
A6K6R1: High CRI Tissue culture cultivating seedlings ornamental and succulent plants;

A4K2R4B1: Universal Type, red and blue 4: 1, tomato flowers leafy vegetables;

A6K5R1B1: Rhizome plants, Root Crops

For other spectra please contact Koray

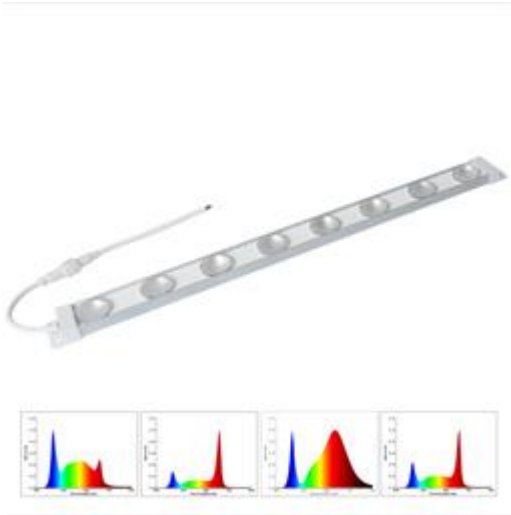
Dimension:



UNIT: mm

Description:

RX-GW45-615A Vertical farm Hydroponics Grow Lights New patent design product with unique lens, Different LED chips in one lens, Concentrating Light efficiently and More uniform spectral radiation, directional light ,higher light utilization efficiency, more efficient comparing with common grow lights. Silicone potting waterproof, more reliable. Suitable for nursery, Vegetable production, especially for the multi-layer cultivation systems of City farming plant factories.



1. Urban agriculture vertical farm Hydroponics Grow Lights Bar
2. High PPFD, One Bar equivalent to 3 T8 Tube, Build your plant farm with fewer lights!
3. Different spectral LED in one lens, spectral radiation uniformity
4. Lens + reflector, directional illumination, higher light utilization efficiency, energy saving more than 50%
5. The preferred plant light spectrum, can customize the spectrum
6. Waterproof IP65
7. Patent number: 201620887642
8. Lifespan: 50000hours
9. CE RoHS FCC

Model	Dimension LxWxH	Spectral Wavelength	Photon PPFD $\mu\text{mol}/\text{m}^2/\text{s}$	Luminous flux Radiation Power	Power Input DC24V	Comment
RX-GW45-615	615x48x21mm	A6K3R4	188 μmol @0.2m 9175Lx	Flux 1129Lm Fe 4.9W	13W	Ra 80 4000K Universal type grow light suitable for most plants
			119 μmol @0.3m 5710Lx			
			63 μmol @0.5m 3060Lx			
RX-GW45-615	615x48x21mm	A6K6R1	176 μmol @0.2m 11332Lx	Flux 1466Lm Fe 5.1W	13W	Ra90 5800K nursery ornamental plants succulents
			109 μmol @0.3m 7043Lx			
			57 μmol @0.5m 3673Lx			

Surface temperature rise T_c 18 K, Operating temperature: $-30^\circ\text{C} \sim 40^\circ\text{C}$, Lifespan: 50,000 hrs (Note: $T_a \leq 25^\circ\text{C}$)

Tolerance range for optical and electrical data: $\pm 10\%$.

Beam angle: 60° Recommended irradiation distance: 0.2~0.5m

Optional spectrum:

A6K2R5 (A6K1R6): Fast growth leafy vegetables;

A6K3R4: Universal spectrum, suitable for most plant growth;

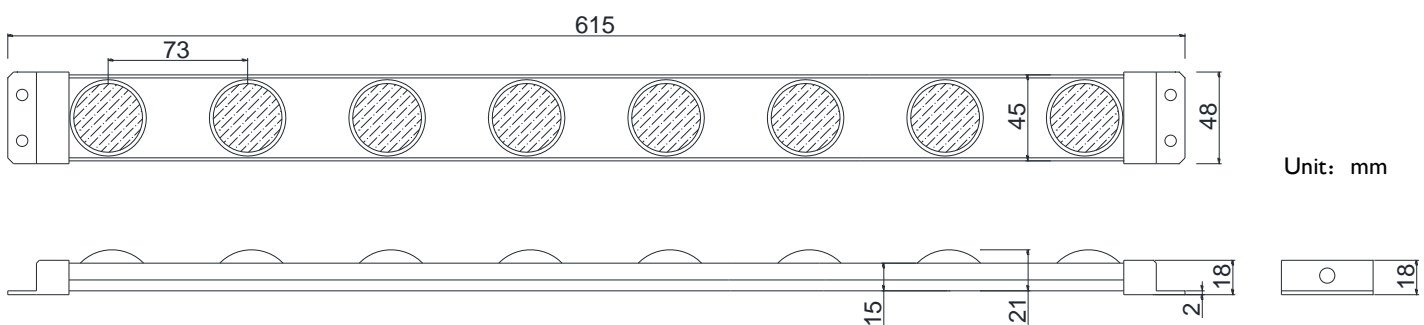
A6K6R1: High CRI Tissue culture cultivating seedlings ornamental and succulent plants;

A4K2R4B1: Universal Type, red and blue 4: 1, tomato flowers leafy vegetables;

A6K5R1B1 Root crops, Root Vegetables

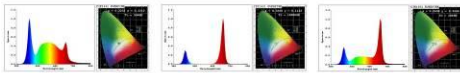
For other spectra please contact Koray

Dimension:



Unit: mm

Description: RX-GW45-AC60 Horticulture LED Tissue Culture & production Module, Waterproof LED Grow Light - New patent design product with unique lens structure, Different LED chips in one lens, More uniform spectral radiance, directional light with higher light utilization efficiency, More energy efficient than common grow lights. Silicone potting waterproof more reliable. Ultra slim 21mm, Large area of aluminum heat dissipation and Low temperature rise with longer life-time; Koray LED Tissue Culture & production Module provides light recipes tailored to Different plants tissue culture & production applications, giving growers a highly efficient LED lighting solution that adds value to their business.



1. Ultra slim for saving space, Lighting in plant factories with multi-layer cultivation systems, **LED Tissue Culture & production Module**
2. **Waterproof IP65**, for harsh environments
3. Comply with the safety requirements around the world
4. Unique lens structure, **More uniform spectral radiance**, directional light with higher light utilization efficiency; Beam angle 60°
5. Compared to **T5 T8 LED tubes 50% energy saving**
6. **100% flicker-free** - Protect Your Eyes
7. Customize the plant spectrum you need!
8. Patent No: 201620887642
9. Lifespan: 25000hours
10. CE RoHS FCC

Model	Dimension	LED QTY Peak Wavelength	Photon PPF μmol/m ² /s	Luminous flux Radiation Power	Power Input AC100 ~240V	Comment
RX-GW45-AC60	606x45x21mm	6K3R4	169μmol @0.2m 7121Lx	Flux 892Lm Fe 4.2W	13.5W AC230	Ra72 3500K Leafy plantation
			106μmol @0.3m 4650Lx			
			55μmol @0.5m 2391Lx			
RX-GW45-AC60		6K6R1	212μmol @0.2m 13991Lx	Flux 1684Lm Fe 5.8W	15.5W AC230V	Ra90 5500K Tissue culture and nursery Ornamental plant
			128μmol @0.3m 8378Lx			
			62μmol @0.5m 1365Lx			
RX-GW45-AC60		6K4R3	173μmol @0.2m 9445Lx	Flux 1178Lm Fe 4.8W	14W AC230V	Ra 88 4500K Common plants, flowers, fruits and vegetables
			113μmol @0.3m 6016Lx			
			60μmol @0.5m 3112Lx			
RX-GW45-AC60		K4	180μmol @0.2m 8315Lx	Flux 968Lm Fe 4.8W	15W AC230V	Common fruits and vegetables
			112μmol @0.3m 5163Lx			
			59μmol @0.5m 2720Lx			
RX-GW45-A60		R6B1	131μmol @0.2m 1475Lx	Flux 182Lm Fe 3.3W	15W AC230V	Red and blue than 6: 1 Leafy plantation
			54μmol @0.3m 1893Lx			
			35μmol @0.5m 1306Lx			

Surface temperature rise Tc 22° K, LED Power temperature rise Tc: 41° K, Operating temperature: -30°C ~ 40°C, Lifespan: 25,000 hrs (Note: Ta 25 °C)

Tolerance range for optical and electrical data: ±10 %.

Beam angle: 60° Recommended irradiation distance: 0.2~0.5m

Dimension:

